

# CMX FRONT MOTOR KIT

210572  
For CMX

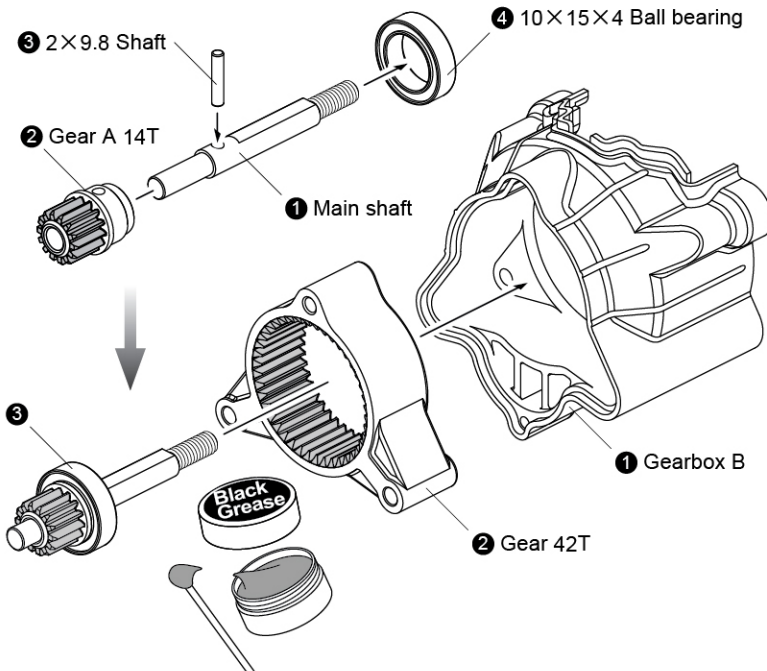


## PARTS

5×8×2.5 Bearing	1pcs	Slipper spacer	1pcs	4×10×1 Spacer	1pcs	Lock nut M4	1pcs
Gear A 14T	1pcs	M06 Pinion gear 17T	1pcs	M2.5×10 RH screw	3pcs	E-clip 4.0	3pcs
Gear B 14T	4pcs	M06 Spur gear 62T	1pcs	M2.5×14 RH screw	1pcs	2×9.8 Shaft	3pcs
Gear A 24T	1pcs	Gearbox A	1pcs	M3×5 RH screw	1pcs	2×11.8 Shaft	2pcs
Gear B 24T	2pcs	Gearbox B	1pcs	M3×6 RH screw	2pcs	2×13.8 Shaft	1pcs
Gear 32T	1pcs	Gearbox C	1pcs	M3×8 RH screw	2pcs	4×10×4 Ball bearing	1pcs
Gear 42T	2pcs	Gearbox mount	1pcs	M3×10 RH screw	6pcs	5×8×2.5 Ball bearing	1pcs
Motor mount	1pcs	Transfer case A	1pcs	M3×14 RH screw	4pcs	5×10×4 Ball bearing	7pcs
Bulkhead plate	1pcs	Transfer case B	1pcs	M3×16 RH screw	1pcs	10×15×4 Ball bearing	1pcs
Slipper plate	2pcs	Bearing holder	1pcs	M3×14 FH screw	4pcs	Spring	1pcs
Battery tray	1pcs	Driveshaft A	1pcs	M3×16 FH screw	2pcs	Slipper pad	2pcs
Main shaft	1pcs	Driveshaft B	1pcs	M3×3 set screw	1pcs	Velcro strap	2pcs
Gear shaft A	1pcs	3×6×0.5 Spacer	3pcs	M3×6 cap screw	2pcs	Sponge	1pcs
Gear shaft B	1pcs	3×6×4 Spacer	2pcs	M3×40 cap screw	2pcs		
Gear shaft C	1pcs	5×7×0.3 Spacer	1pcs	Lock nut M3	2pcs		

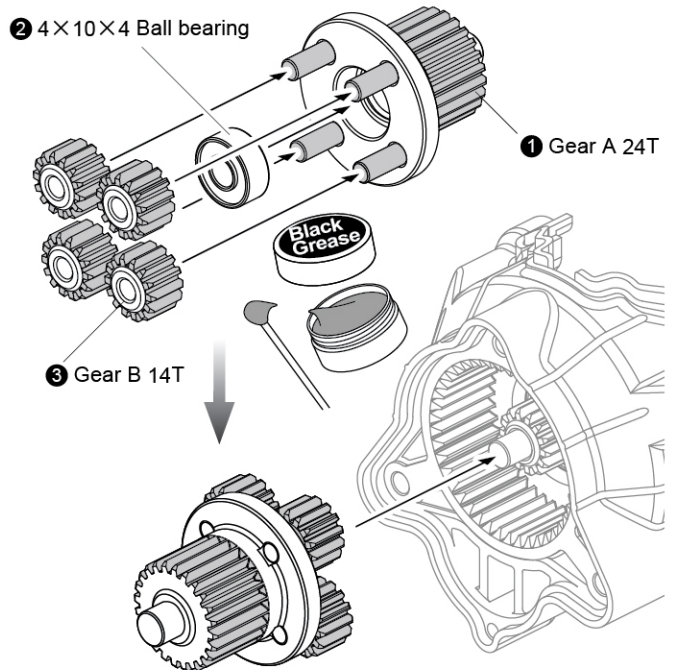
### STEP 1 Deceleration gear assembly

減速齒組裝



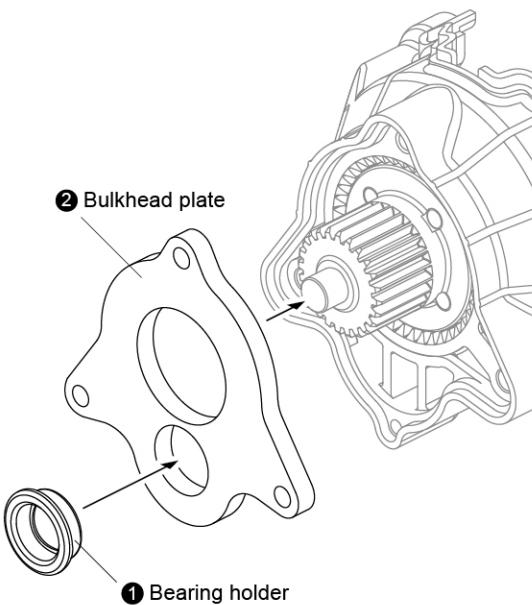
### STEP 2 Deceleration gear assembly

減速齒組裝



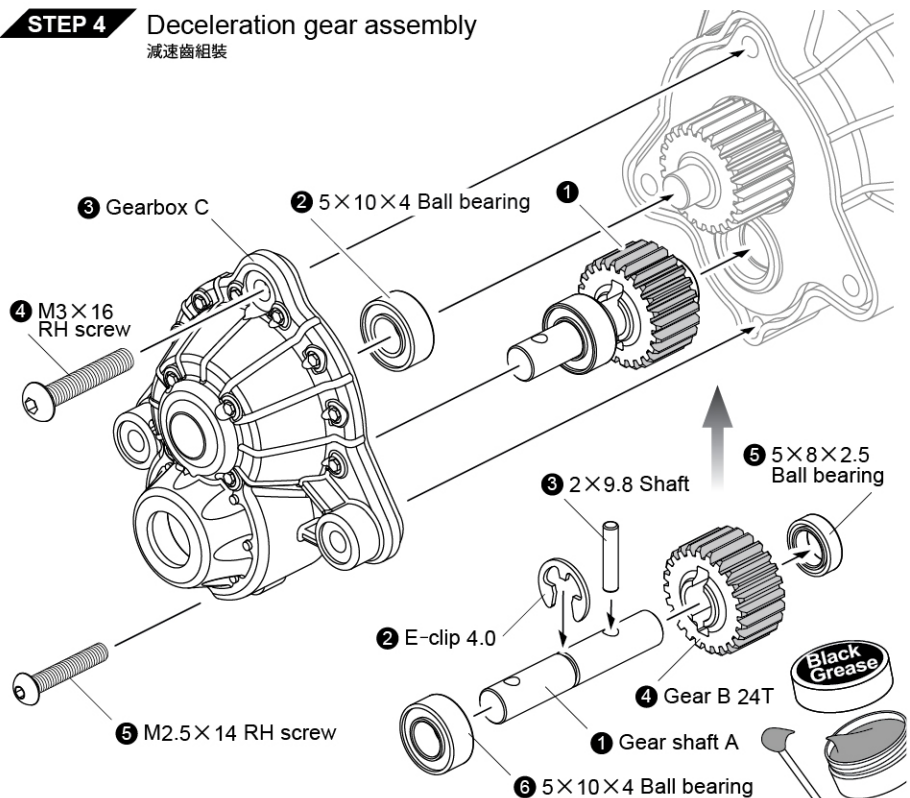
### STEP 3 Attaching bulkhead plate

安裝減速箱艙板

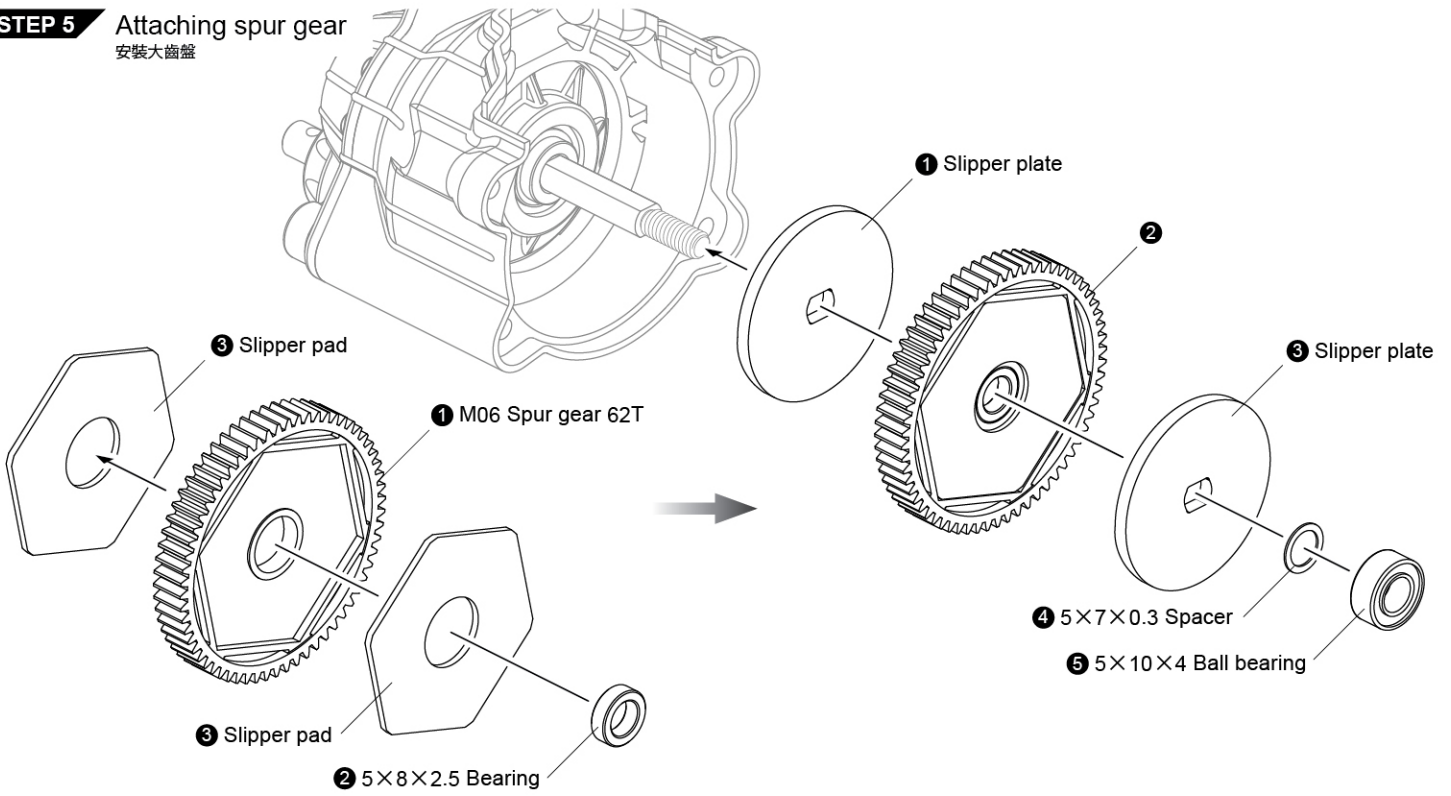


### STEP 4 Deceleration gear assembly

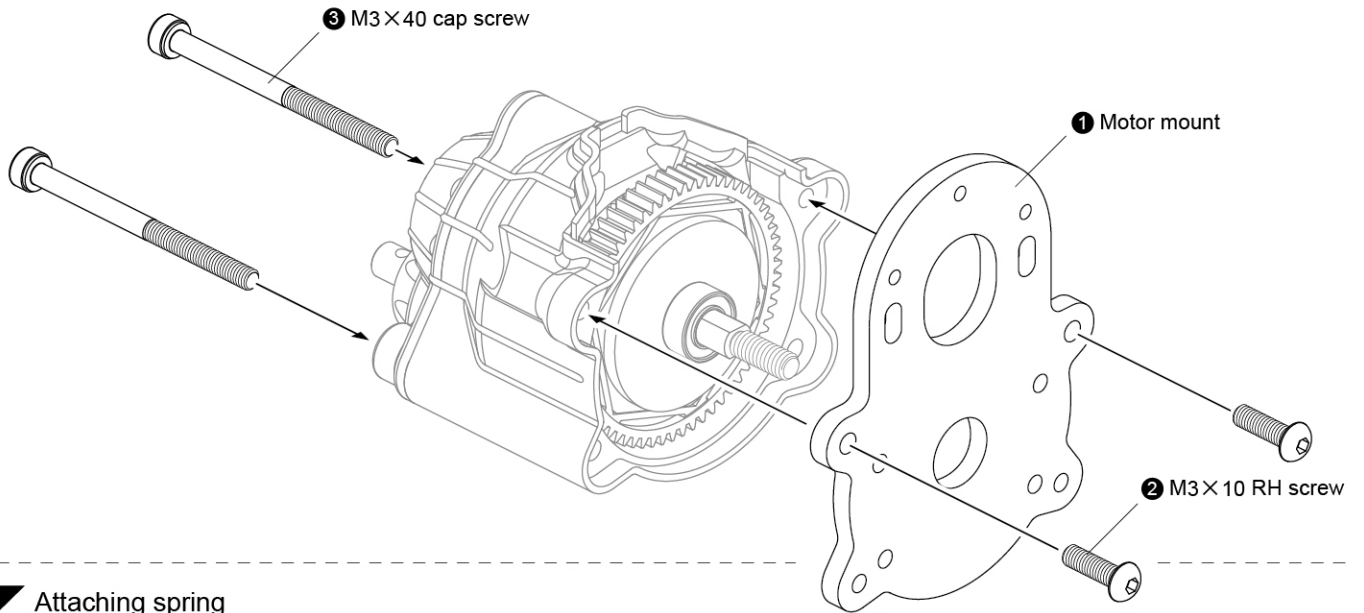
減速齒組裝



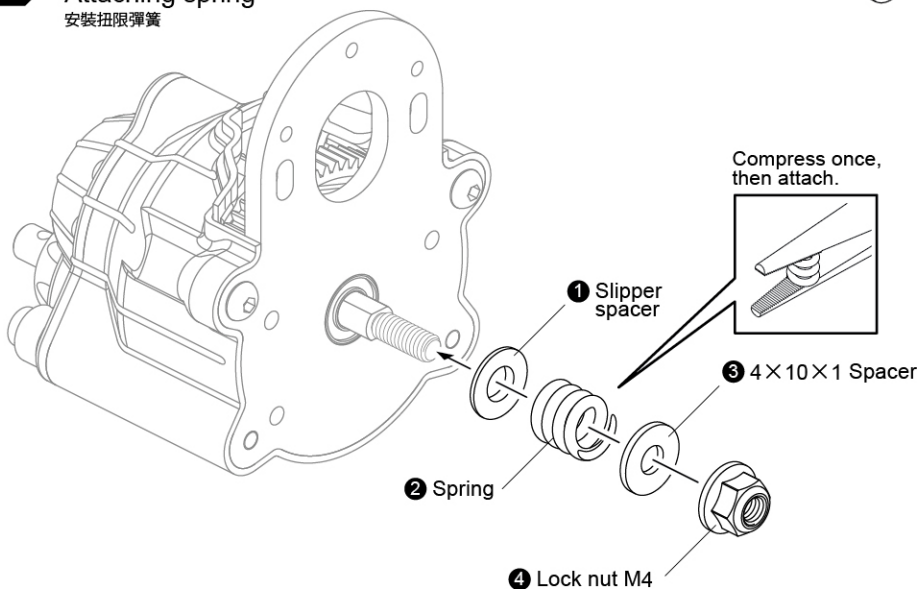
**STEP 5** Attaching spur gear  
安裝大齒盤



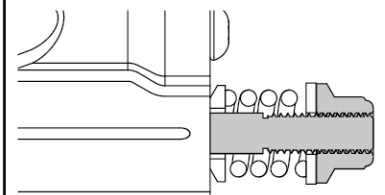
**STEP 6** Attaching motor mount  
安裝馬達座



**STEP 7** Attaching spring  
安裝扭限彈簧



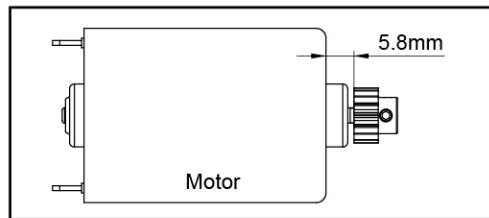
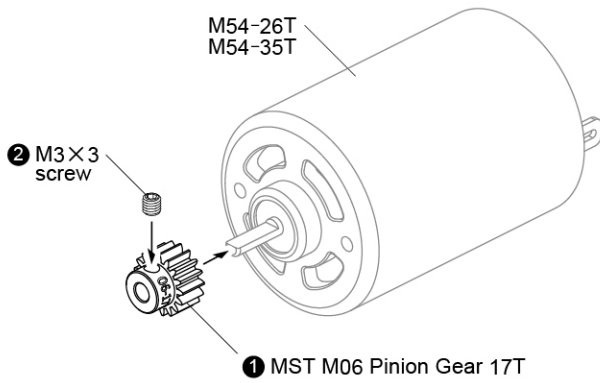
**1** Please note the overtightening slipper clutch may cause the drivetrain broken.  
請注意如過度旋緊，將會使傳動件毀損。



※ Tighten and align the main shaft.  
旋緊至切齊主齒軸。  
※ Adjust the tightness as need.  
請依需求調整鬆緊度。

**STEP 8** Attaching pinion gear

安裝馬達齒



※ Please set the gear ratio according to motor specifications, environments, and personal requirements.

齒比的選擇會因馬達規格、場地形態、車手手感，而有不同選擇。可先參考當地配置後再選擇齒比！

※ Please refer to MST office website for completed pinion specifications.

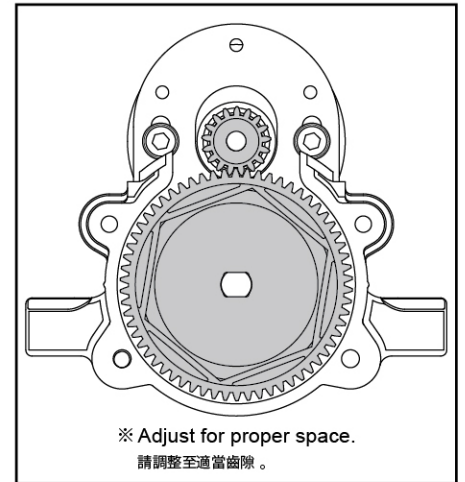
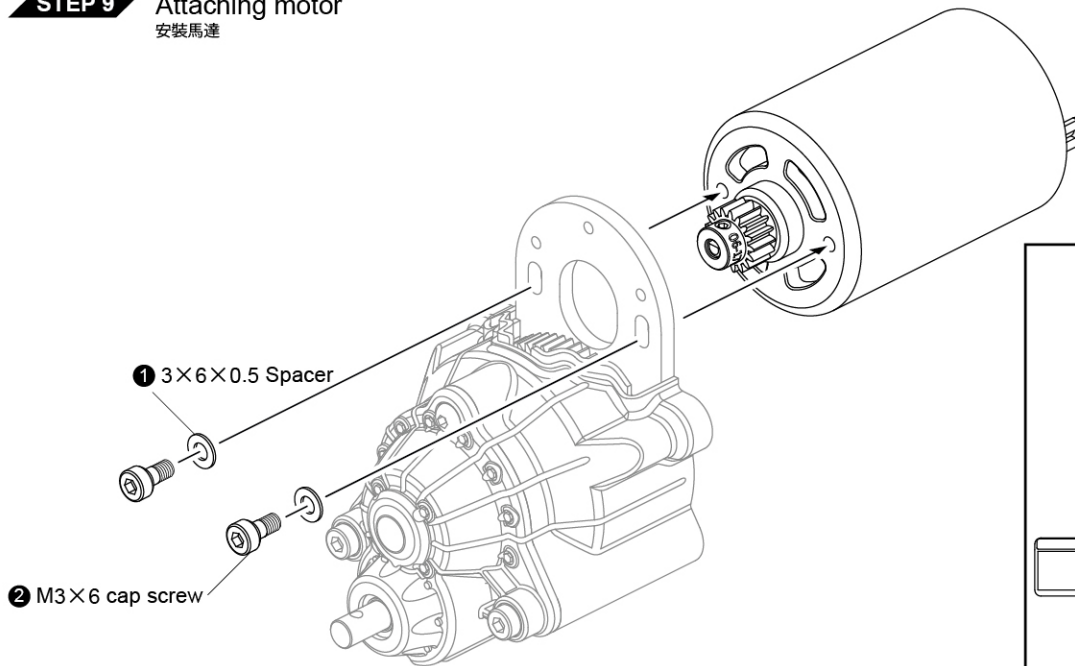
如須另購馬達齒，請上官網查詢！ [ [www.rc-mst.com](http://www.rc-mst.com) ]

**GEAR RATIO**

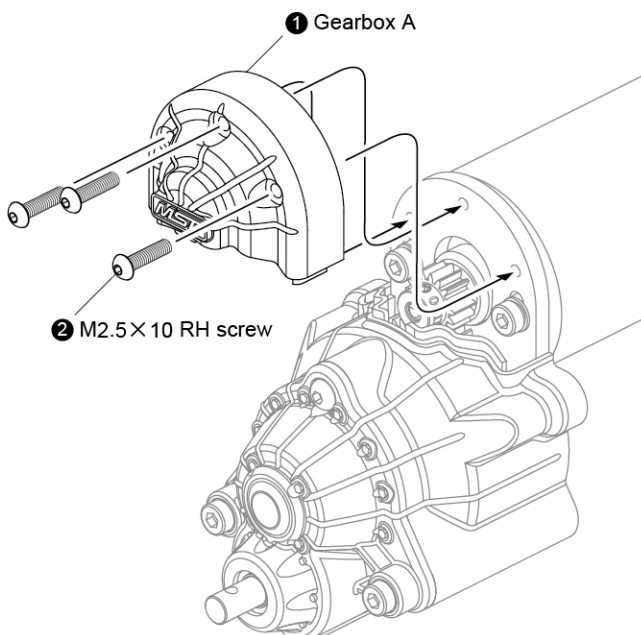
Pinion Gear	Spur Gear 62T
17	46.68
18	44.09
19	41.77
20	39.69
21	37.79
22	36.07
23	34.50
24	33.06
25	31.74

**STEP 9** Attaching motor

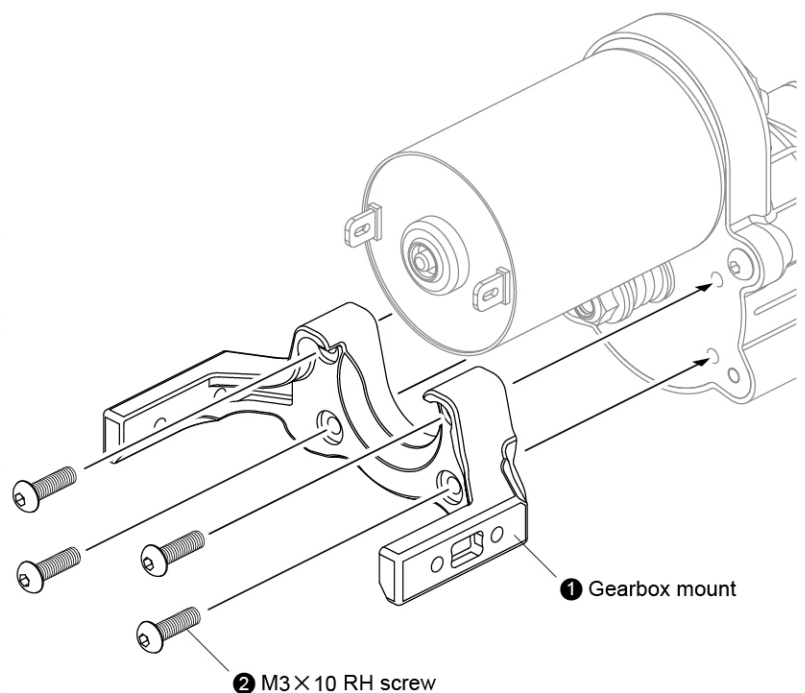
安裝馬達

**STEP 10** Attaching dust cover

安裝防塵蓋

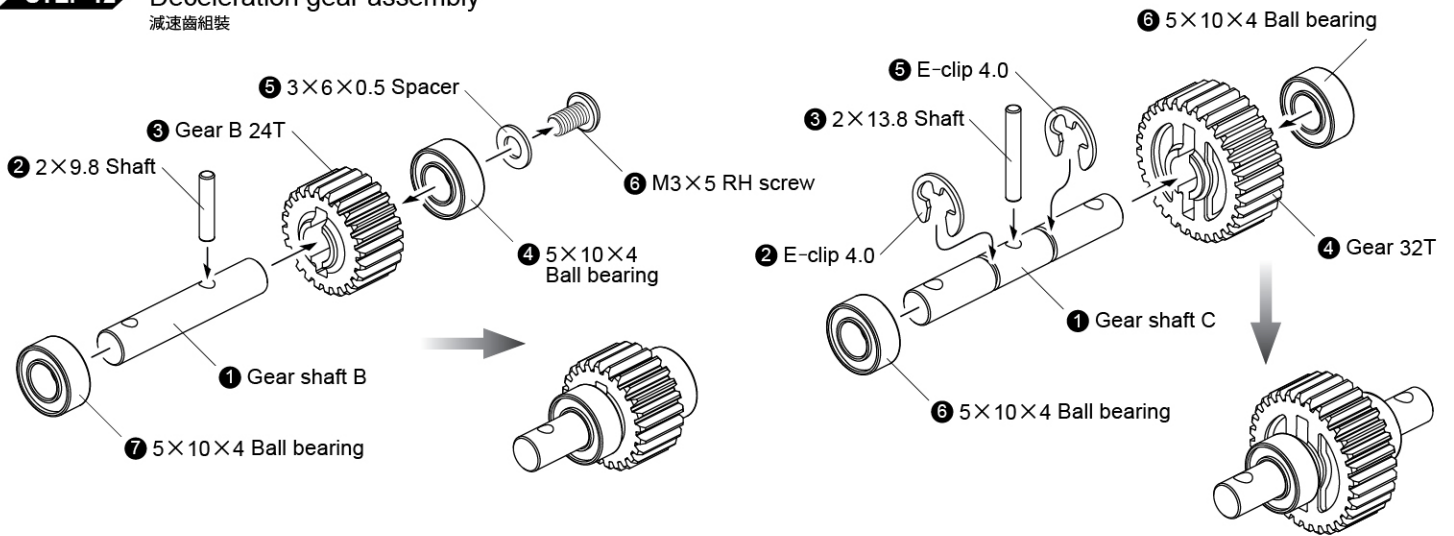
**STEP 11** Attaching gearbox mount

安裝減速箱固定座

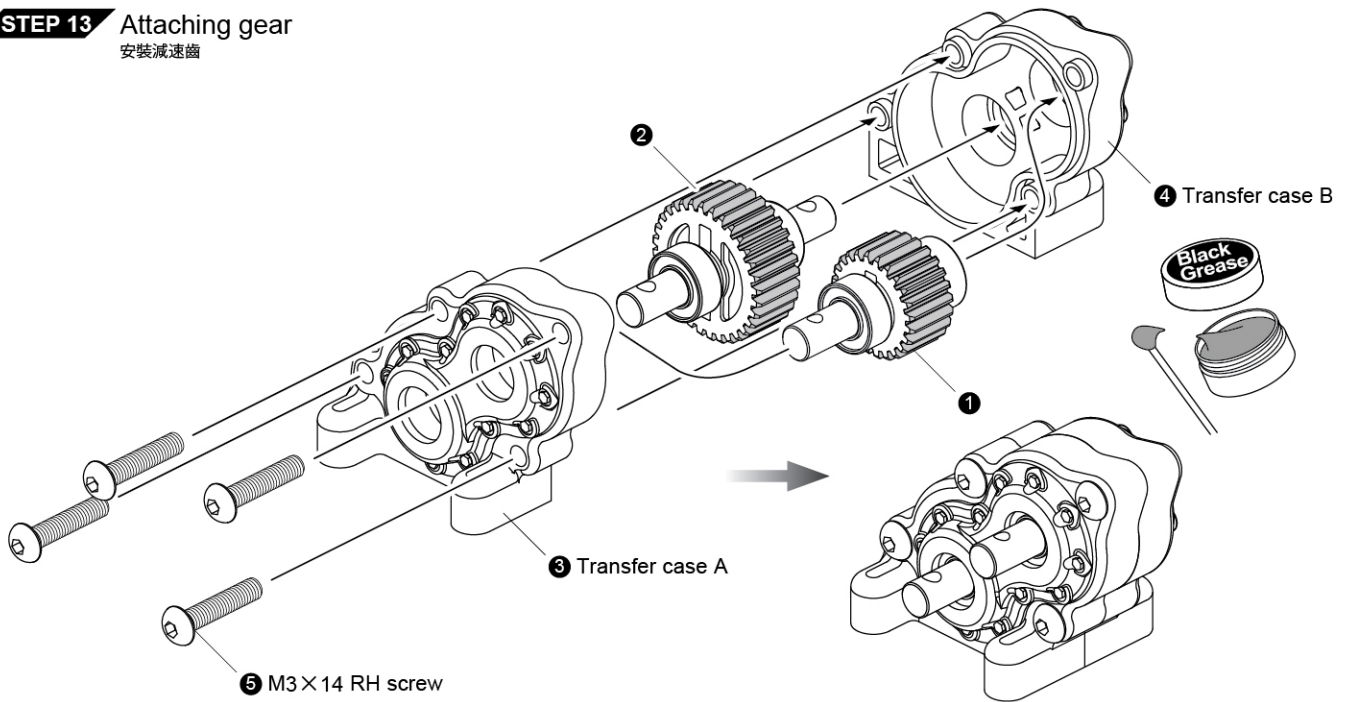




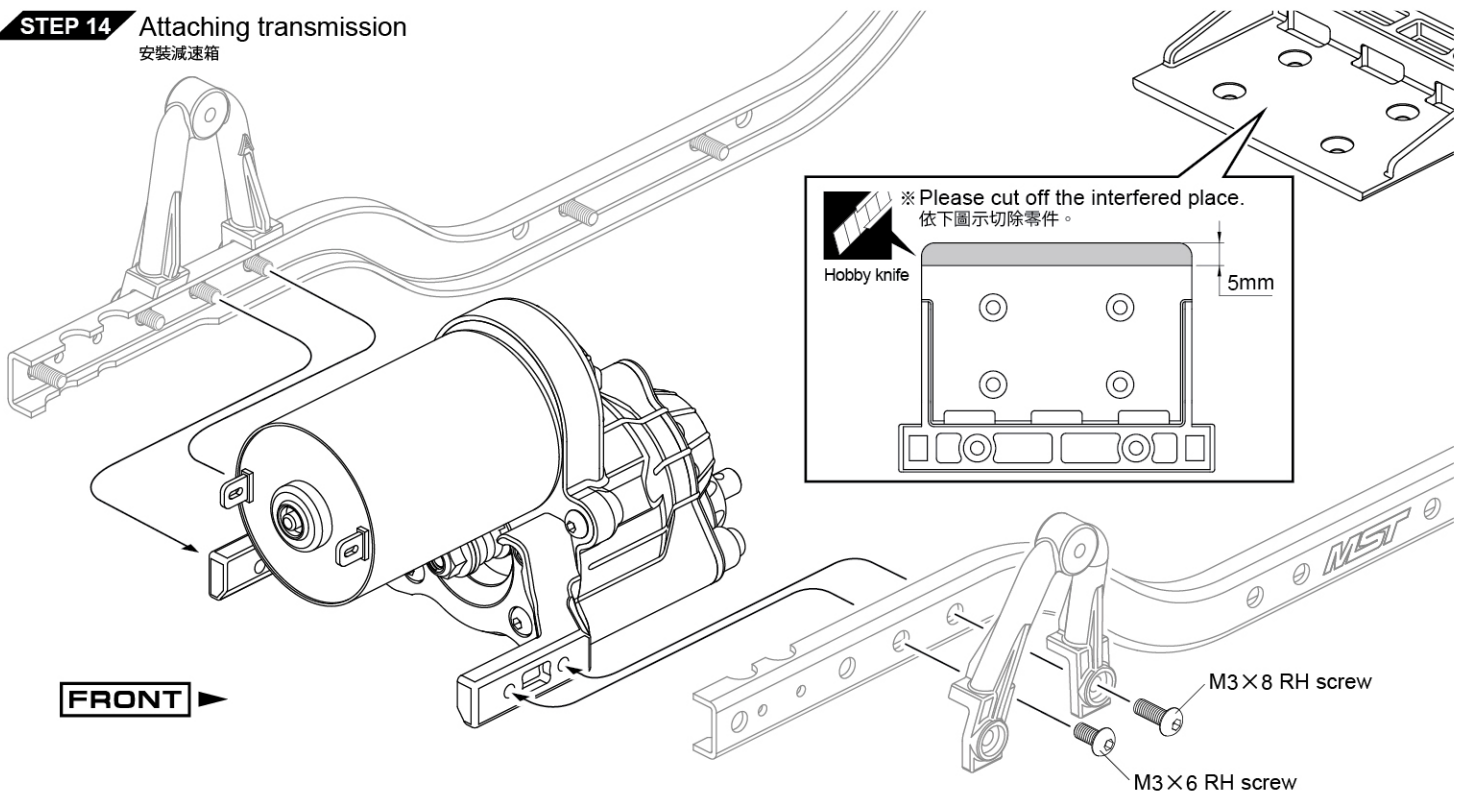
**STEP 12** Deceleration gear assembly  
減速齒組裝



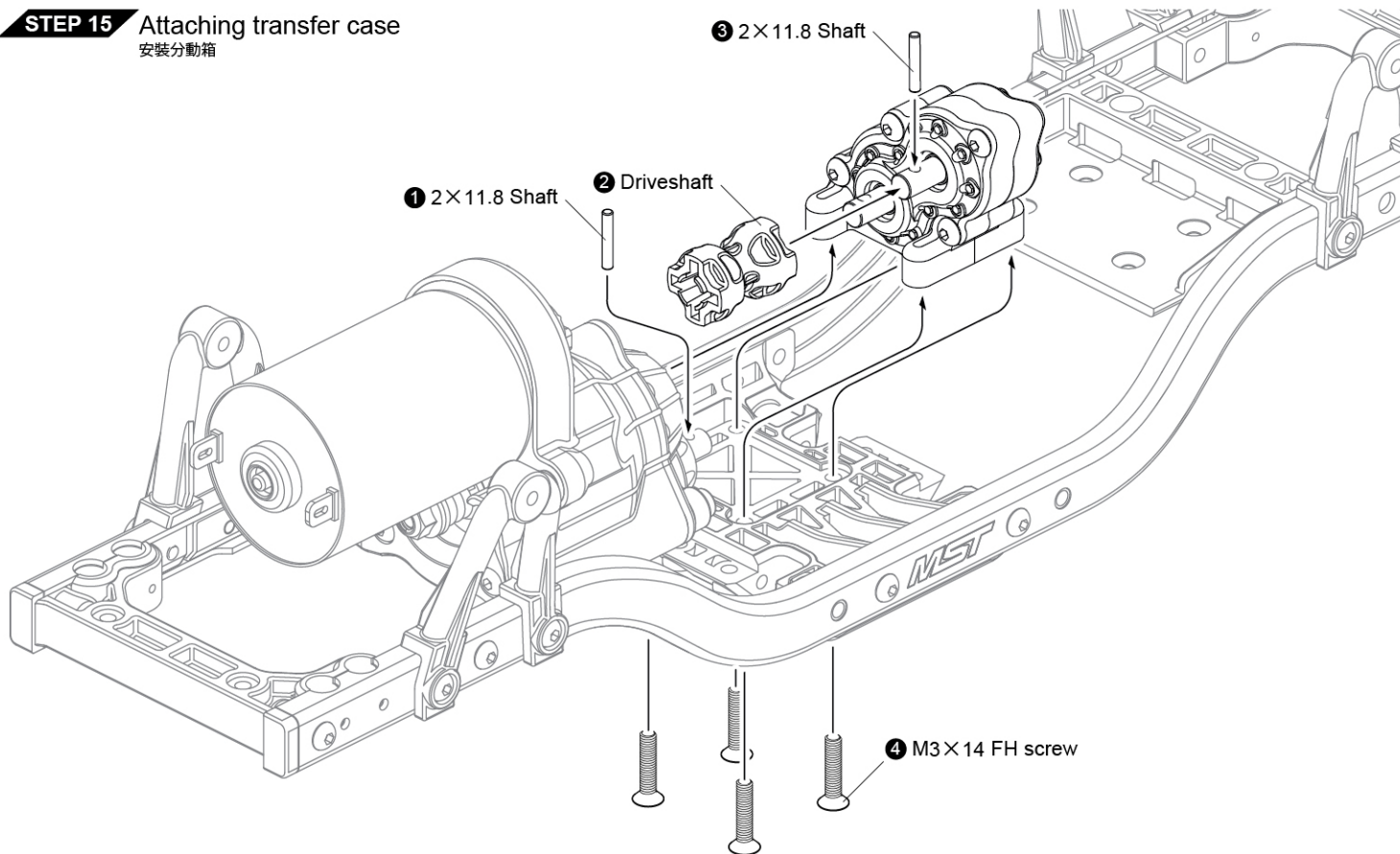
**STEP 13** Attaching gear  
安裝減速齒



**STEP 14** Attaching transmission  
安裝減速箱



**STEP 15** Attaching transfer case  
安裝分動箱



**STEP 16** Attaching battery tray  
安裝電裝托盤

