

# MPA AXLE SET

210568  
universal

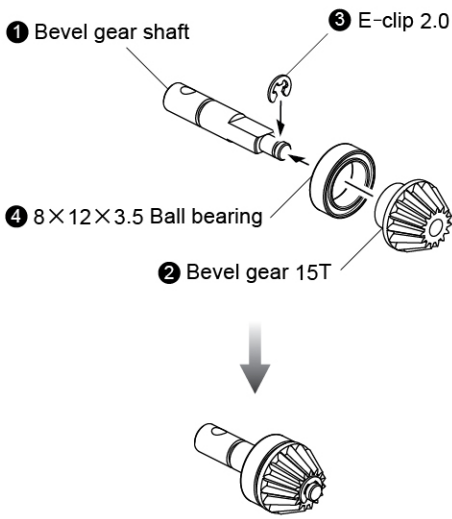


## PARTS

Cross joint	2pcs	C HUB carrier	2pcs	M2.5×14 RH screw	8pcs	Lock nut M4	2pcs
5.8 Ball connector	4pcs	Link mount	2pcs	M3×8 RH screw	4pcs	E-clip 2.0	2pcs
Gear B 14T	4pcs	Knuckle	2pcs	M3×10 RH screw	5pcs	E-clip 4.0	1pcs
Gear C 14T	2pcs	Knuckle cover	2pcs	M3×14 RH screw	8pcs	E-clip 3.0	2pcs
Gear 16T	2pcs	Hex. wheel hubs	2pcs	M3×16 RH screw	4pcs	G-clip 11.0	2pcs
CVD axle	2pcs	Diff. Cover	1pcs	M3×18 RH screw	2pcs	2×9.8 Shaft	2pcs
Wheel axle	2pcs	Servo mount A	1pcs	M3×20 RH screw	2pcs	2×10.8 Shaft	2pcs
MPA Axle	2pcs	Servo mount B	1pcs	M3×25 RH screw	3pcs	3×11.8 Shaft	4pcs
Bevel gear 15T	1pcs	Adjuster	4pcs	M3×30 RH screw	1pcs	5×10×4 Ball bearing	3pcs
Bevel gear 36T	1pcs	Toe - in Rod	2pcs	M3×2.6 set screw	3pcs	3×6×2.5 Ball bearing	8pcs
Bevel gear shaft	1pcs	3×6×0.5 Spacer	6pcs	M3×16 set screw	4pcs	4×8×3 Ball bearing	4pcs
Alum. link (43mm)	1pcs	3×8×0.5 Spacer	1pcs	King pin screw	4pcs	8×12×3.5 Ball bearing	3pcs
Alum. link (94.5mm)	1pcs	5×7×0.3 Spacer	1pcs	Lock nut M2.5	8pcs	5×9×3 Ball bearing	4pcs
MPA Axle housing	1pcs	M2×8 cap screw	6pcs	Lock nut M3	10pcs	Servo horn	1set

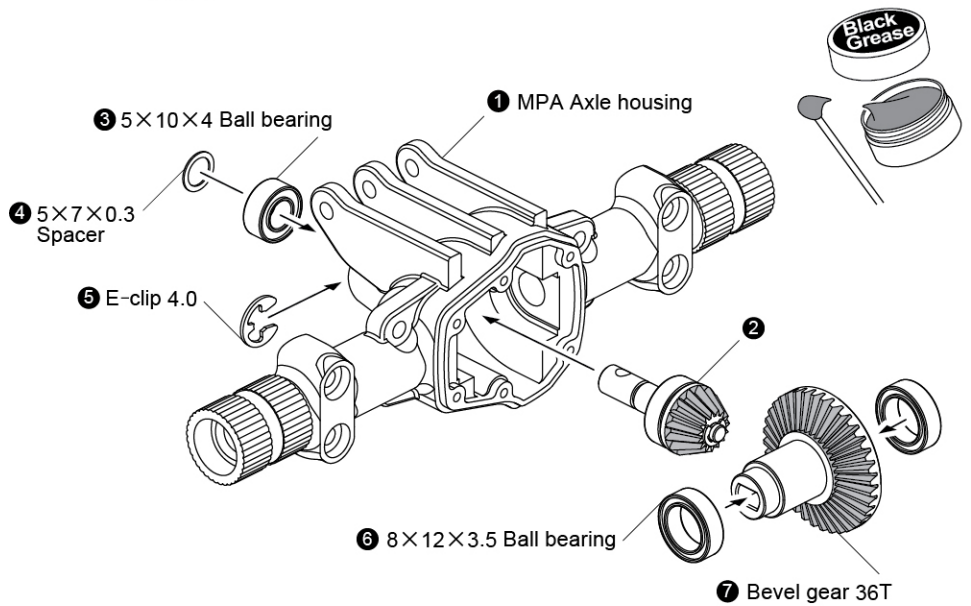
### STEP 1 Bevel gear assembly

小傘齒組裝



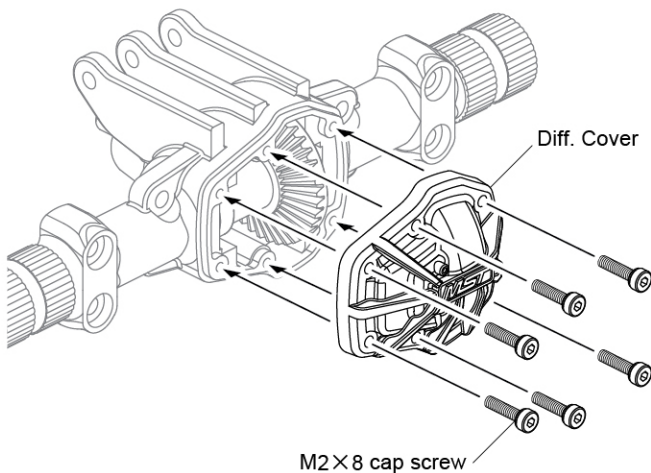
### STEP 2 Attaching bevel gear

安裝傘齒



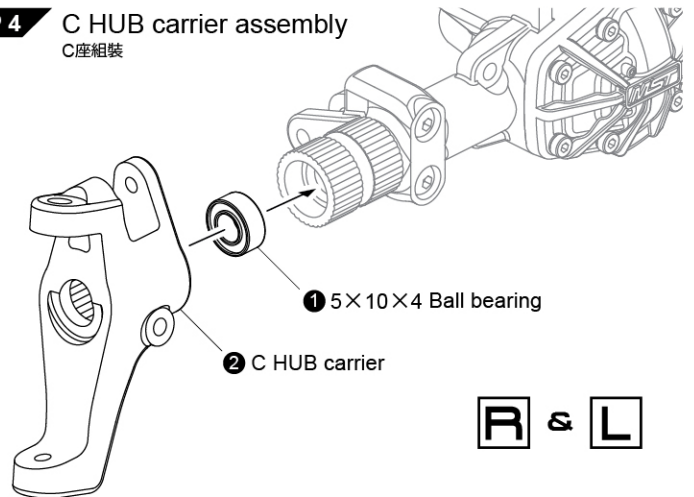
### STEP 3 Attaching diff. cover

安裝車軸殼蓋



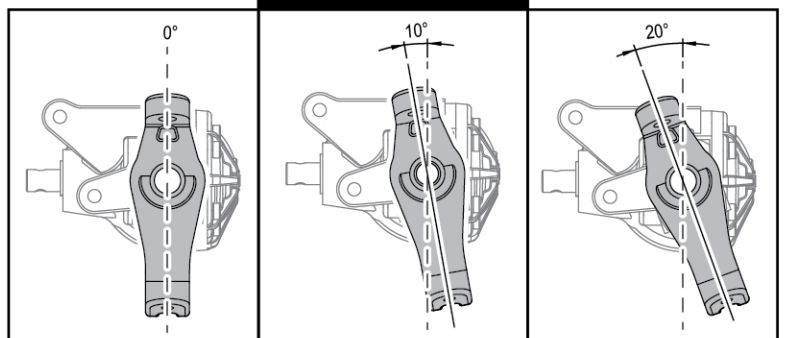
### STEP 4 C HUB carrier assembly

C座組裝



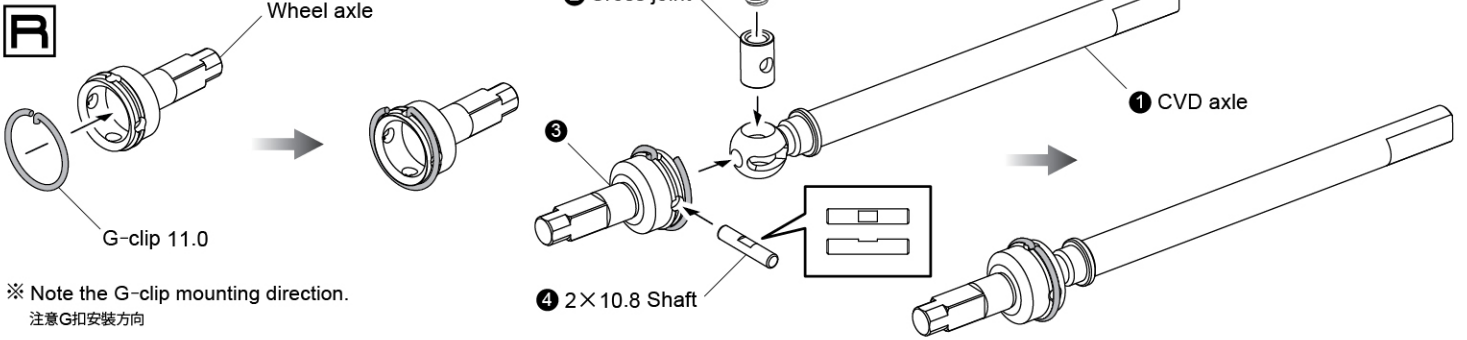
R & L

### ORIGINAL SETTING

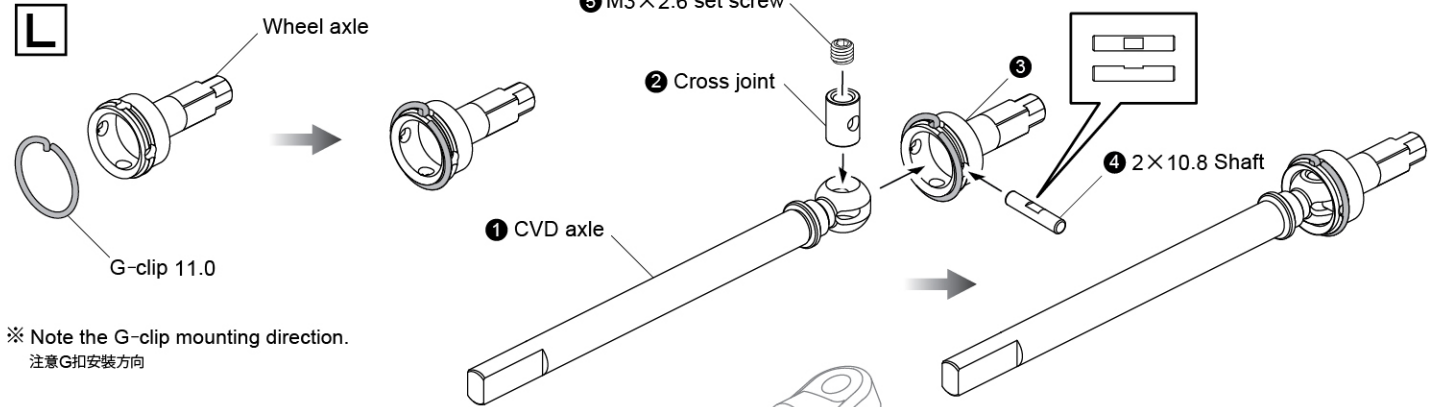


### STEP 5 Wheel axle assembly

萬向接杯組裝



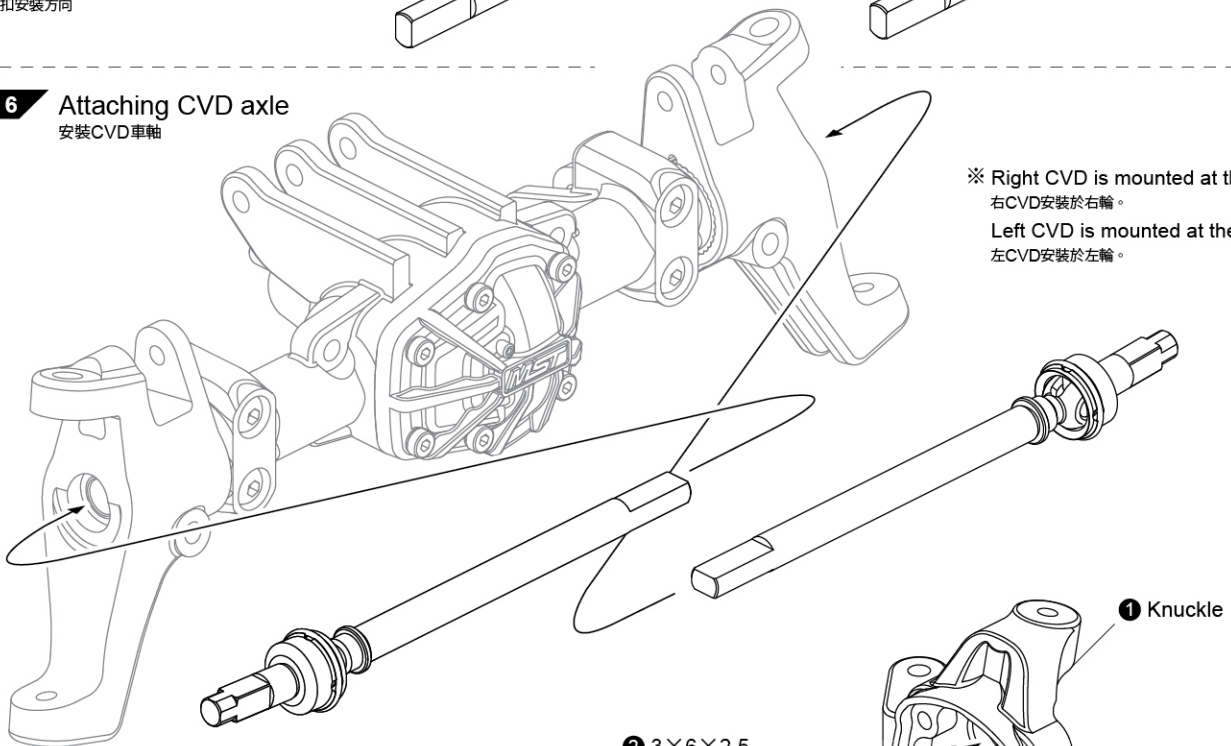
※ Note the G-clip mounting direction.  
注意G扣安裝方向



※ Note the G-clip mounting direction.  
注意G扣安裝方向

### STEP 6 Attaching CVD axle

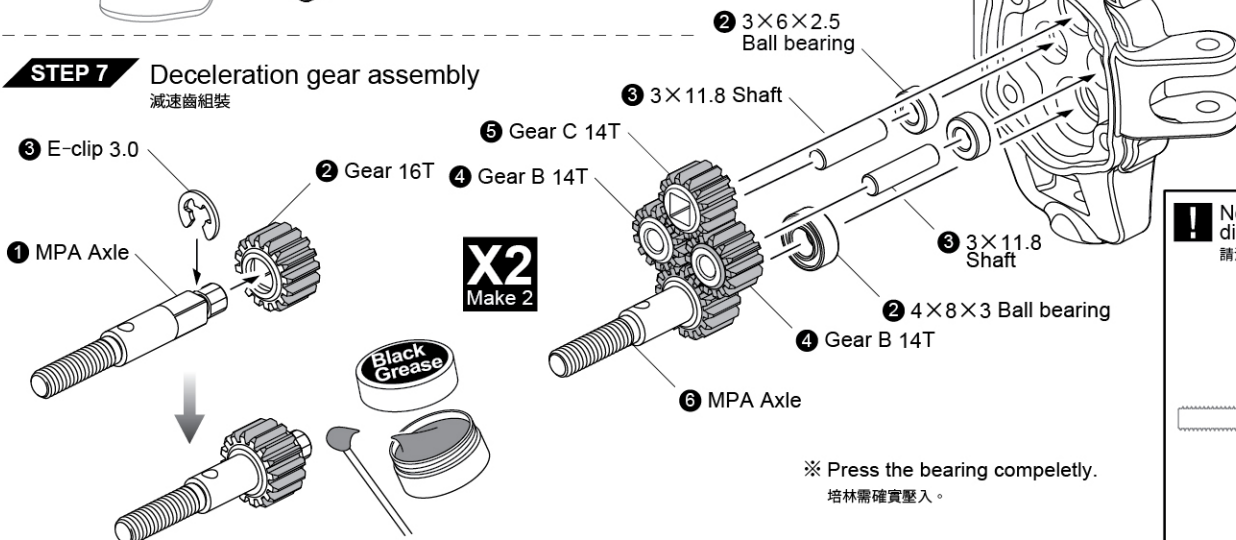
安裝CVD車軸



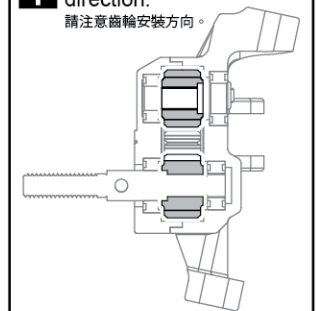
※ Right CVD is mounted at the right wheel.  
右CVD安裝於右輪。  
Left CVD is mounted at the left wheel.  
左CVD安裝於左輪。

### STEP 7 Deceleration gear assembly

減速齒組裝



! Notice the gear assembly direction.  
請注意齒輪安裝方向。

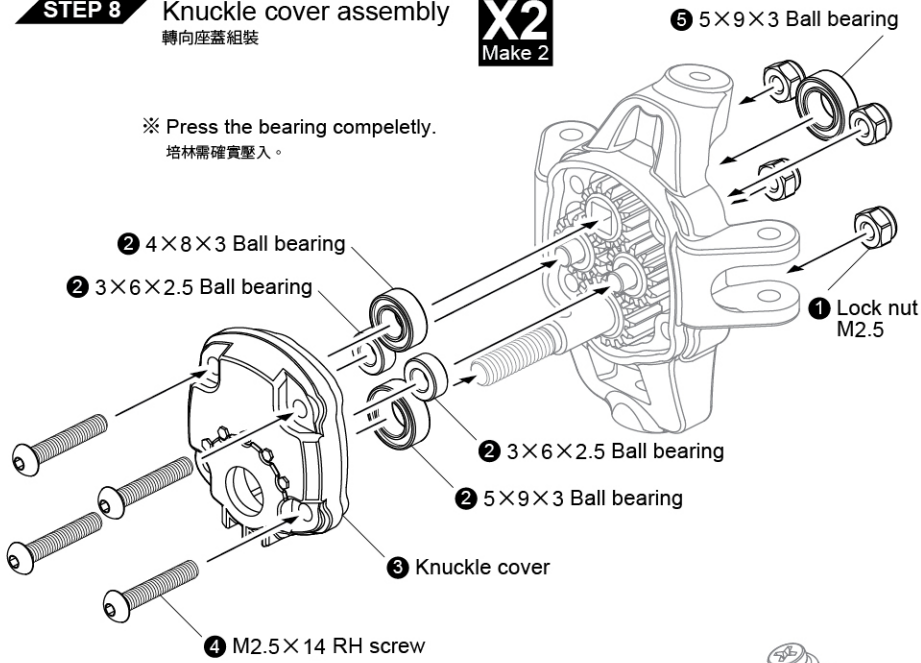




**STEP 8** Knuckle cover assembly  
轉向座組裝

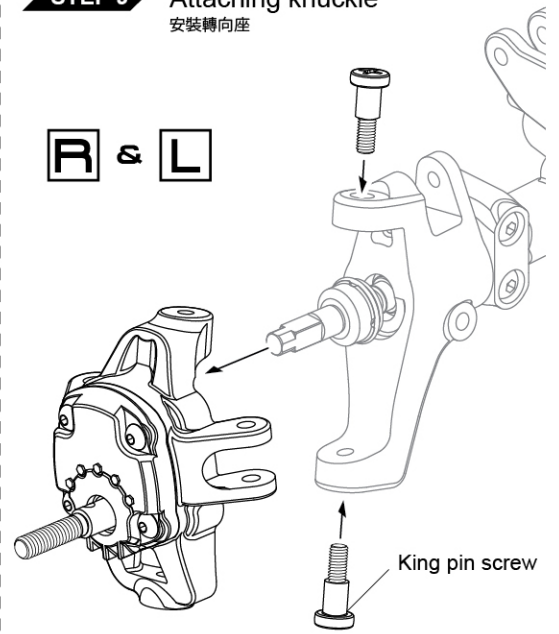
**X2**  
Make 2

※ Press the bearing completely.  
培林需確實壓入。

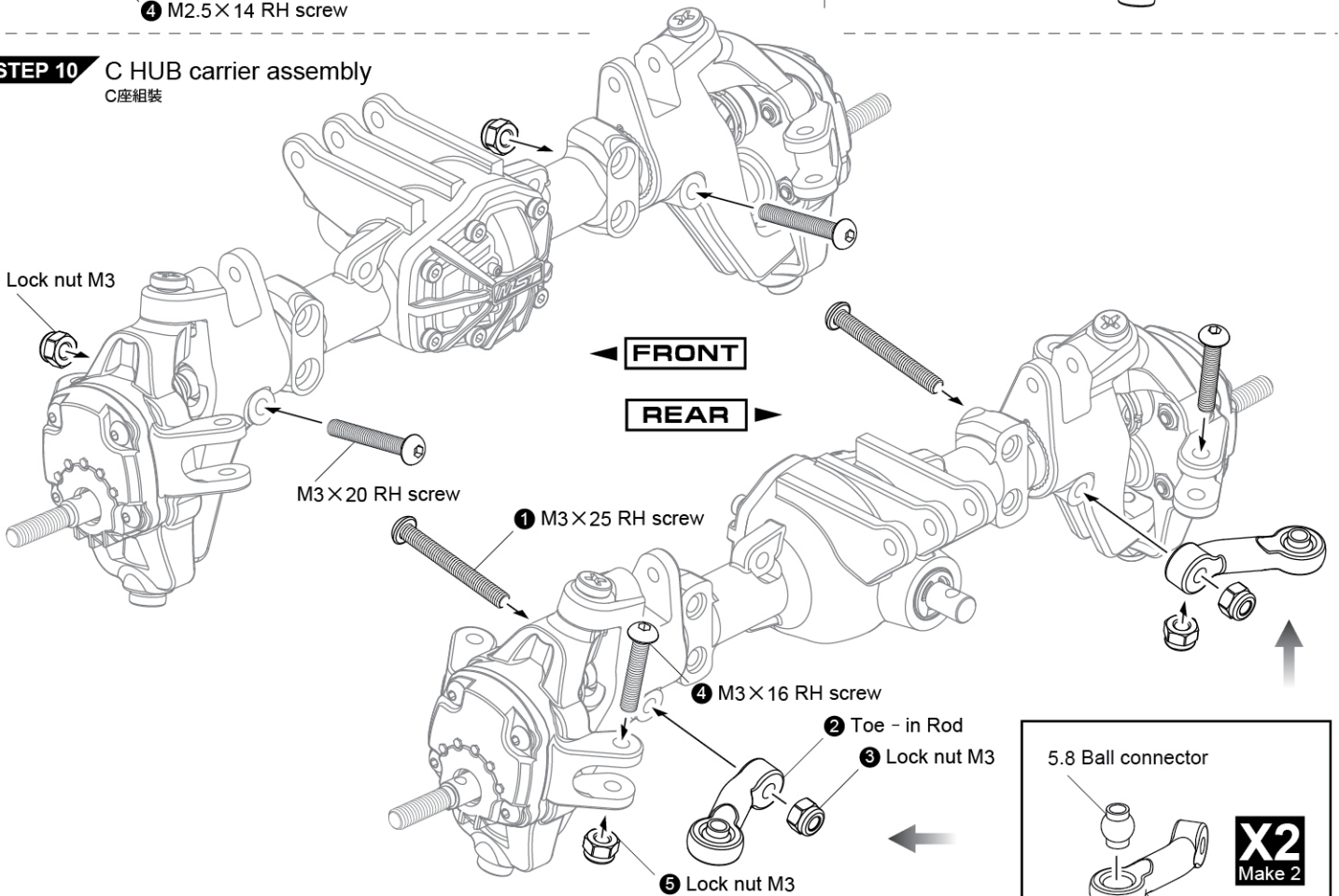


**STEP 9** Attaching knuckle  
安裝轉向座

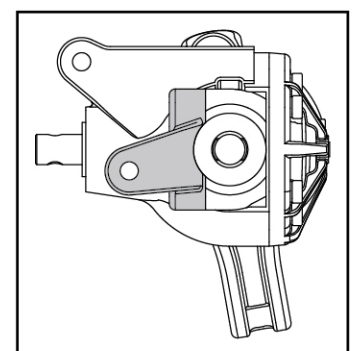
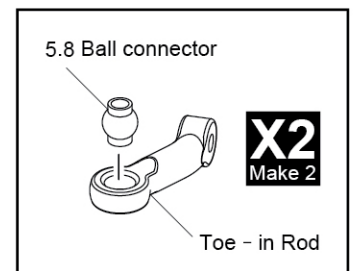
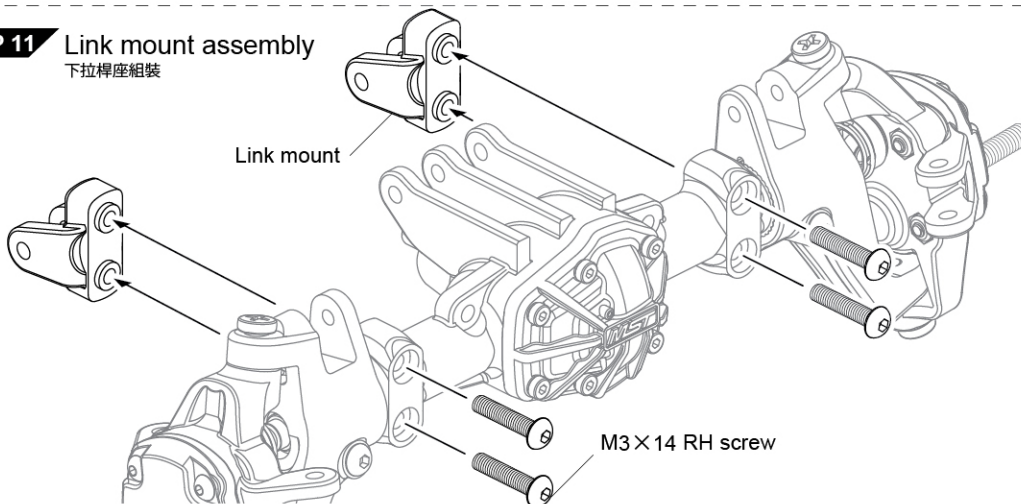
**R & L**



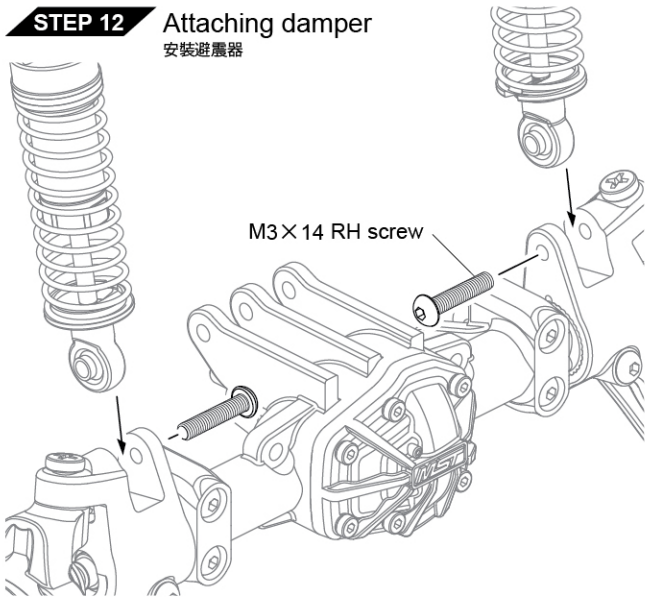
**STEP 10** C HUB carrier assembly  
C座組裝



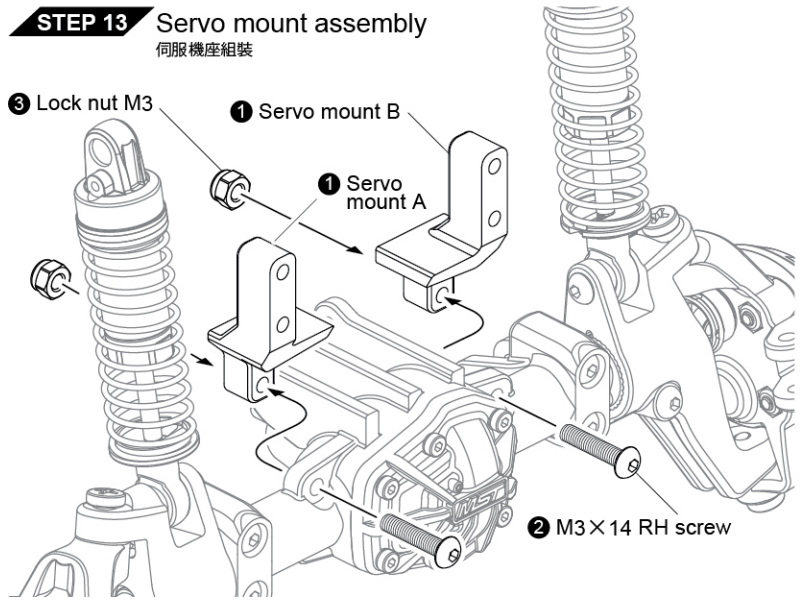
**STEP 11** Link mount assembly  
下拉桿座組裝



**STEP 12** Attaching damper  
安裝避震器

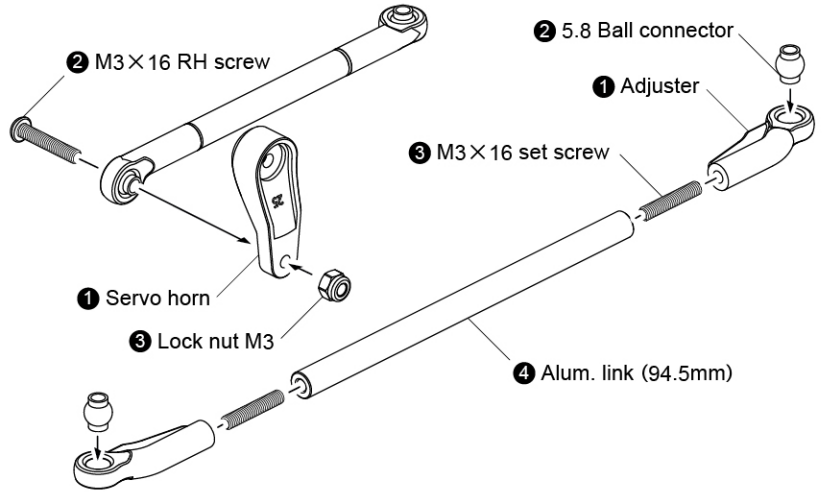
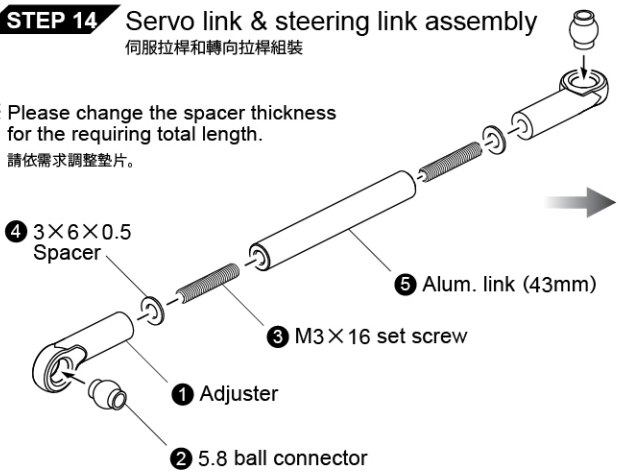


**STEP 13** Servo mount assembly  
伺服機座組裝

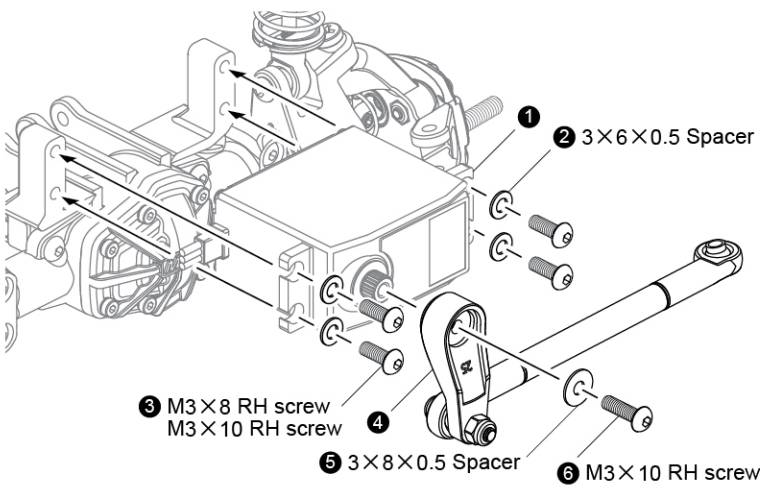


**STEP 14** Servo link & steering link assembly  
伺服拉桿和轉向拉桿組裝

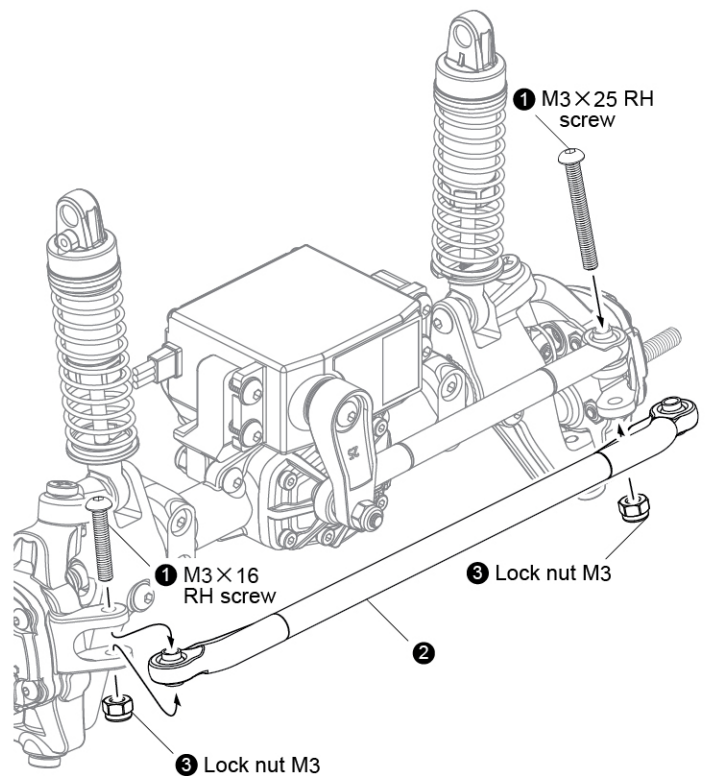
※ Please change the spacer thickness for the requiring total length.  
請依需求調整墊片。



**STEP 15** Steering servo assembly  
轉向伺服機組裝



**STEP 16** Attaching steering link  
安裝轉向拉桿



**STEP 17** Attaching hex. wheel hubs  
安裝六角輪座

**R** & **L**

