

SA25 FRONT & REAR AXLE SET

210652
universal

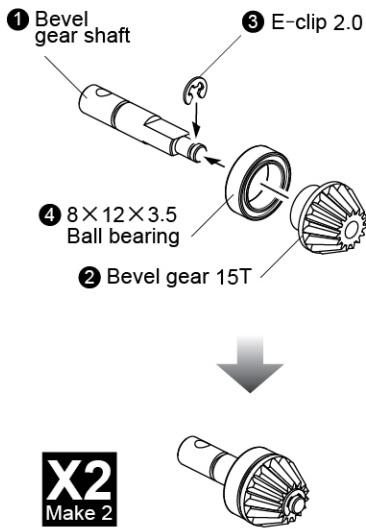


PARTS

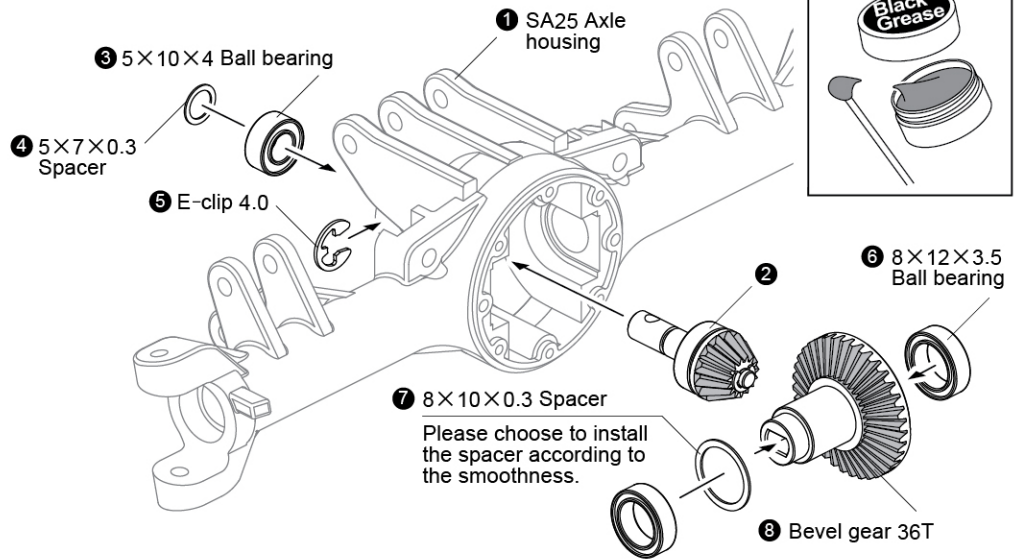
M2×6 RH screw	12pcs	3×8×0.5 Spacer	1pcs	2×9.8 Shaft	4pcs	Knuckle A	1pcs
M3×6 RH screw	4pcs	5×7×0.3 Spacer	2pcs	2×10.8 Shaft	2pcs	Knuckle B	1pcs
M3×10 RH screw	7pcs	8×10×0.3 Spacer	2pcs	E-clip 2.0	2pcs	Link 48.5mm	1pcs
M3×14 RH screw	1pcs	5×10×4 Ball bearing	10pcs	E-clip 4.0	2pcs	Link 103mm	1pcs
M3×16 RH screw	1pcs	8×12×3.5 Ball bearing	6pcs	G-clip 11.0	2pcs	SA25 Front Axle housing	1pcs
M3×18 RH screw	8pcs	King pin screw	4pcs	23T Servo horn	1pcs	SA25 Rear Axle housing	1pcs
M3×20 RH screw	1pcs	Bevel gear shaft	2pcs	25T Servo horn	1pcs	SA25 Rear axle	2pcs
M3×30 RH screw	2pcs	Wheel axle	2pcs	Bevel gear 15T	2pcs	SA25 CVA axle	2pcs
M3×16 set screw	4pcs	Lock nut M3	13pcs	Bevel gear 36T	2pcs		
3×6×0.5 Spacer	6pcs	Lock nut M4	4pcs	Diff Cover	2pcs		

AXLE 車軸

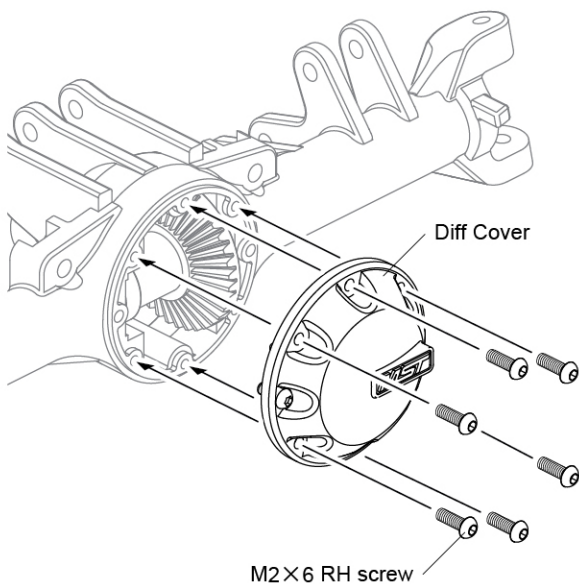
STEP 1 Bevel gear assembly 小傘齒組裝



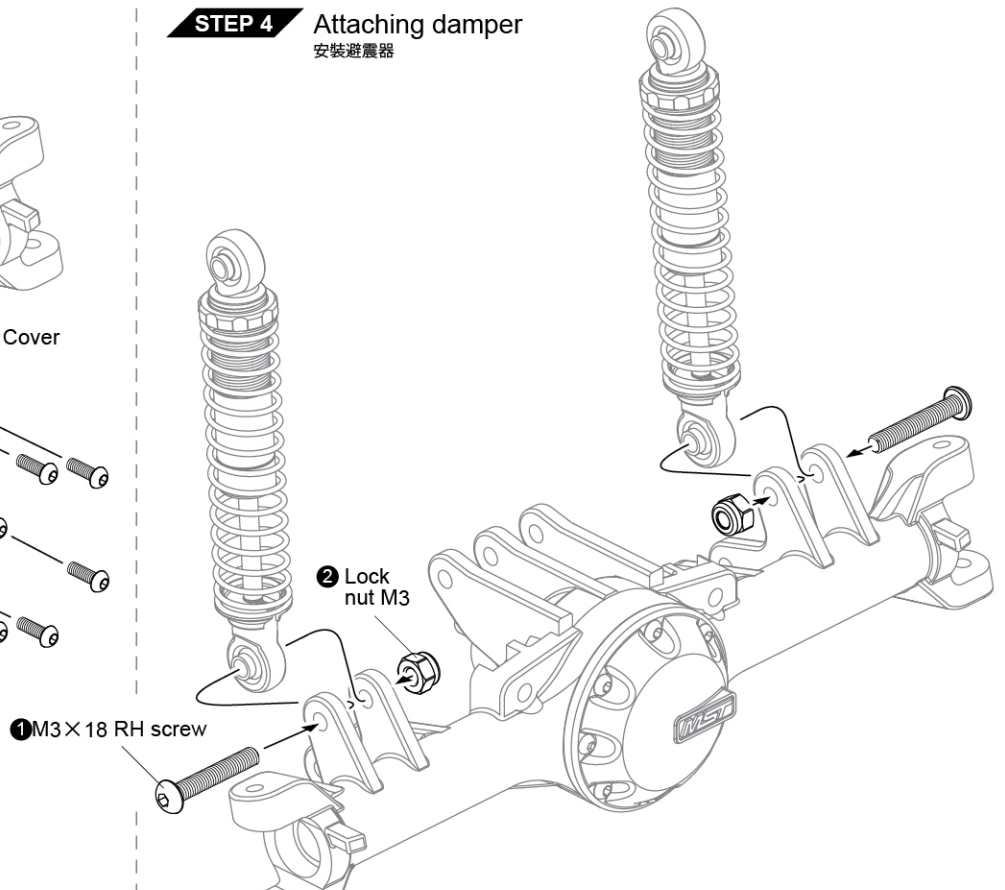
STEP 2 Attaching bevel gear 安裝傘齒



STEP 3 Attaching diff cover 安裝車軸殼蓋

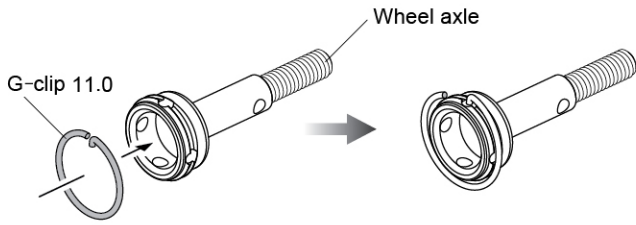


STEP 4 Attaching damper 安裝避震器

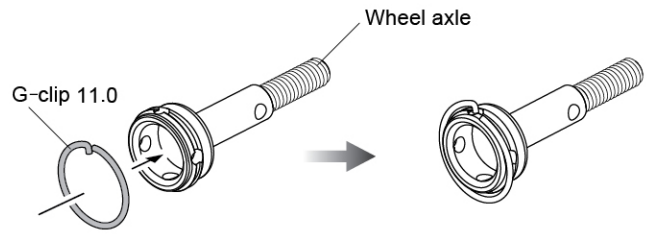


STEP 5 Wheel axle assembly

萬向接杯組裝

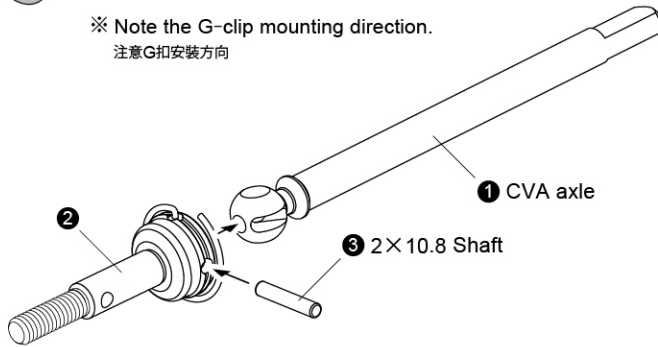


※ Note the G-clip mounting direction.
注意G扣安裝方向

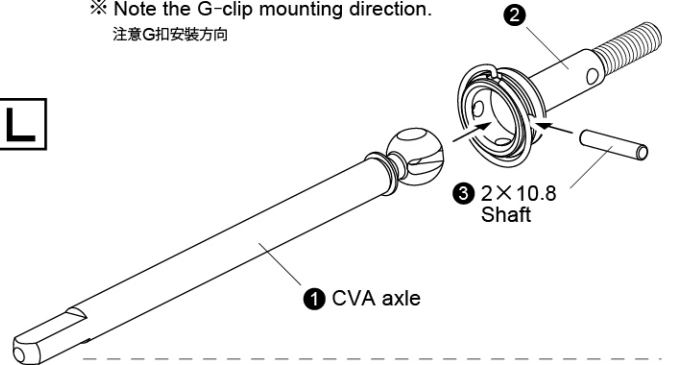


※ Note the G-clip mounting direction.
注意G扣安裝方向

R

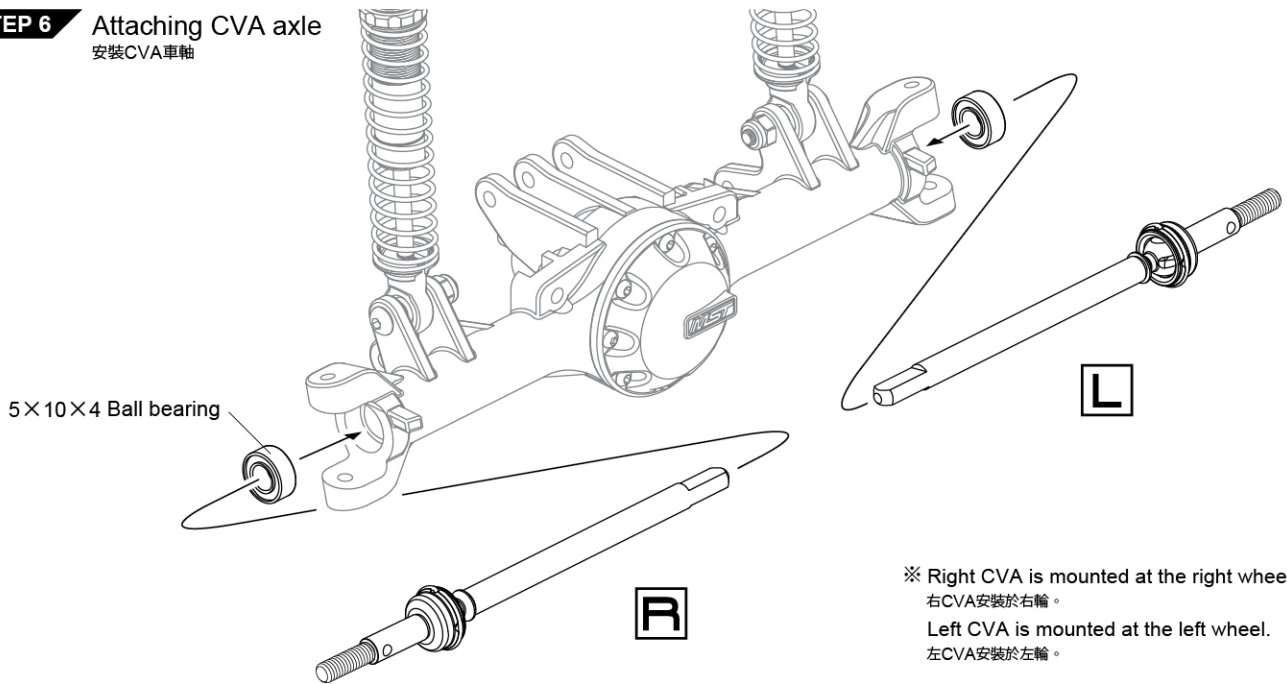


L



STEP 6 Attaching CVA axle

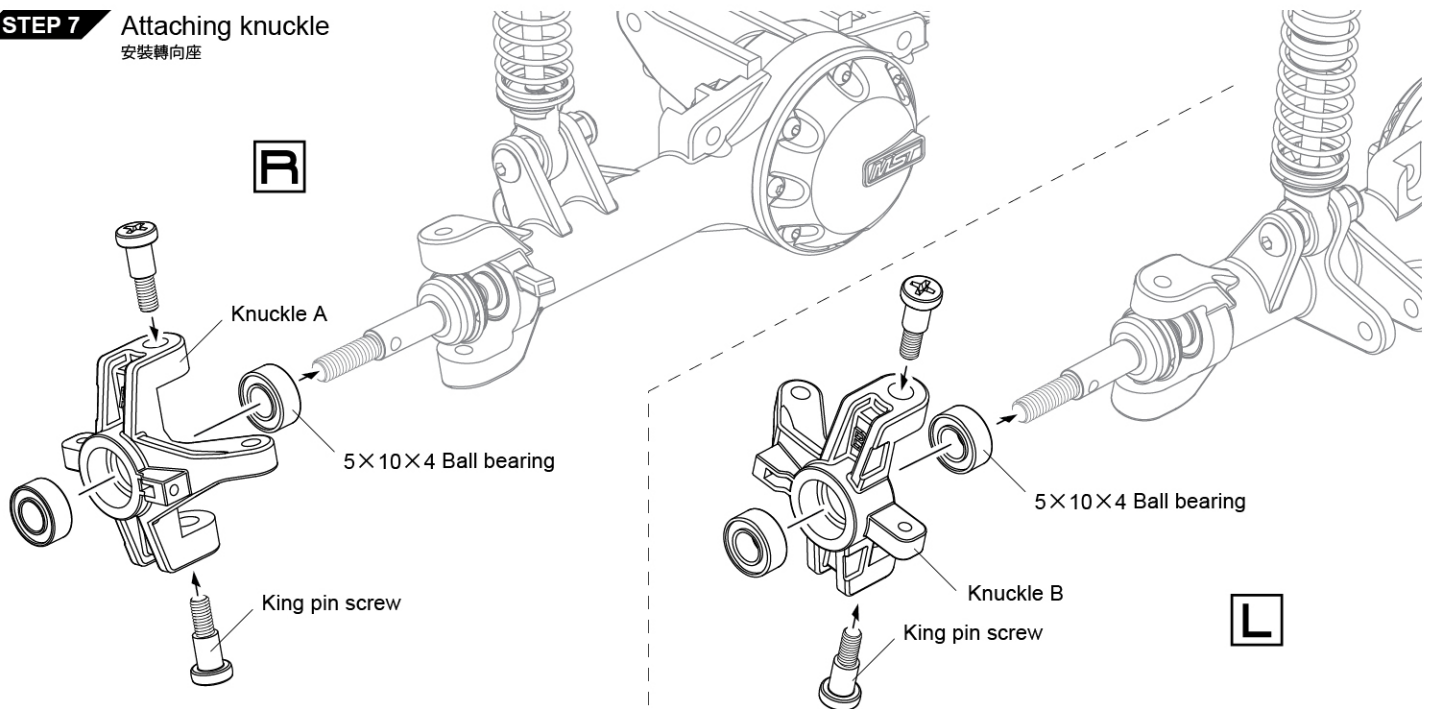
安裝CVA車軸



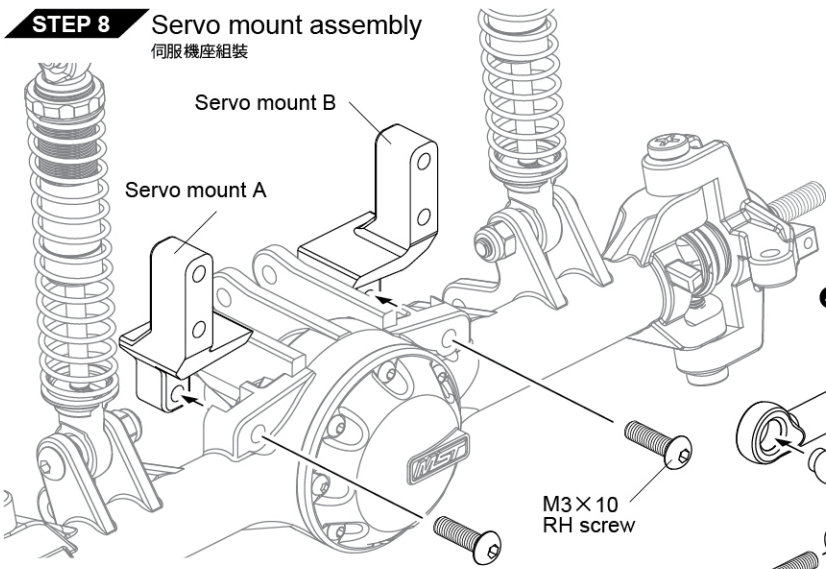
※ Right CVA is mounted at the right wheel.
右CVA安裝於右輪。
Left CVA is mounted at the left wheel.
左CVA安裝於左輪。

STEP 7 Attaching knuckle

安裝轉向座

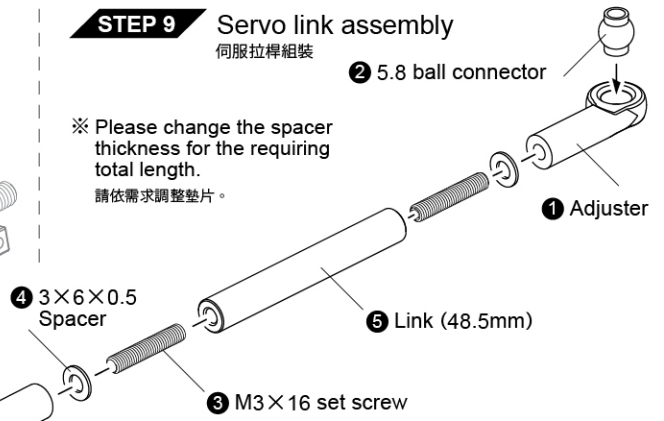


STEP 8 Servo mount assembly
伺服機座組裝

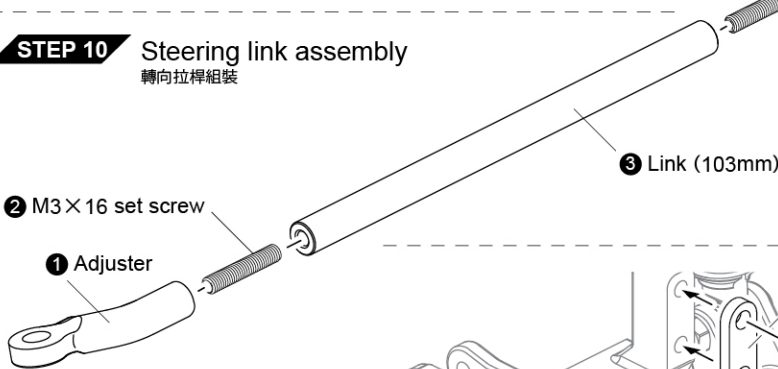


STEP 9 Servo link assembly
伺服拉桿組裝

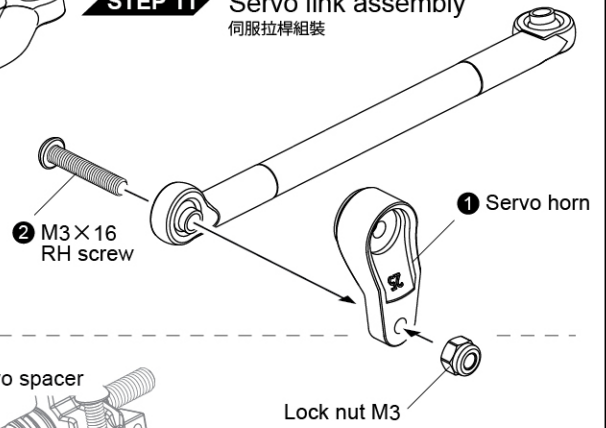
※ Please change the spacer thickness for the requiring total length.
請依需求調整墊片。



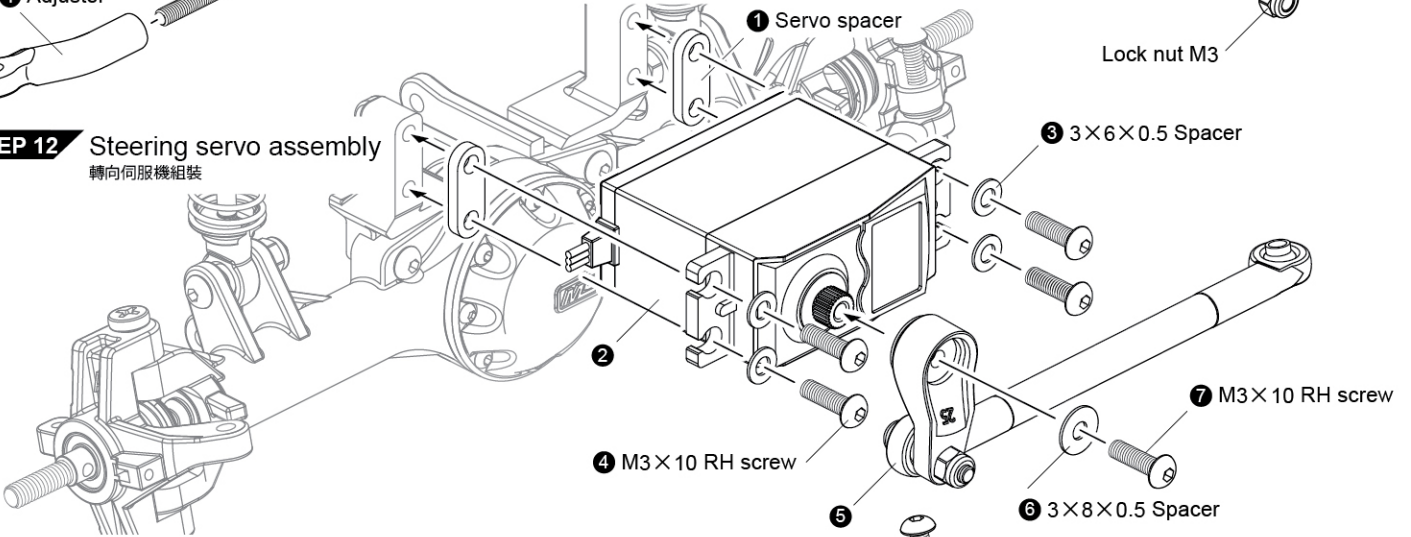
STEP 10 Steering link assembly
轉向拉桿組裝



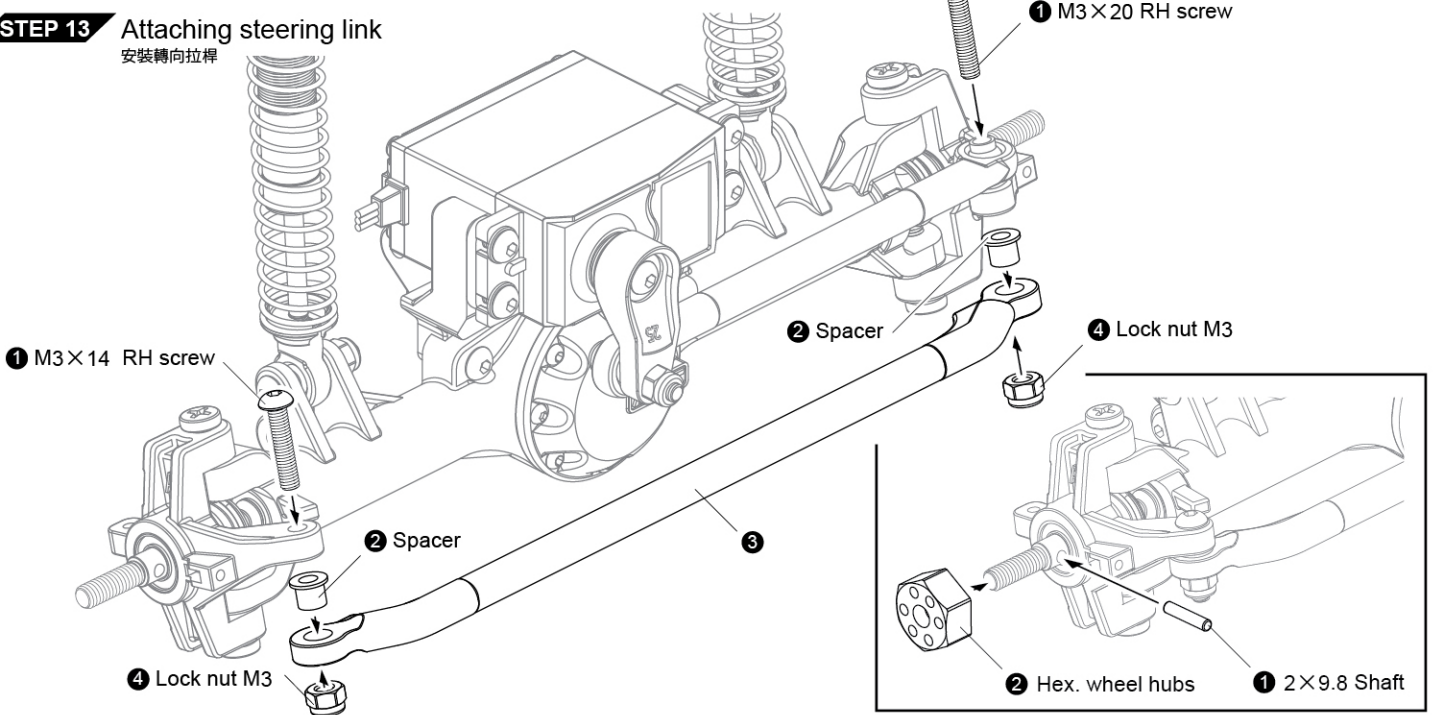
STEP 11 Servo link assembly
伺服拉桿組裝



STEP 12 Steering servo assembly
轉向伺服機組裝

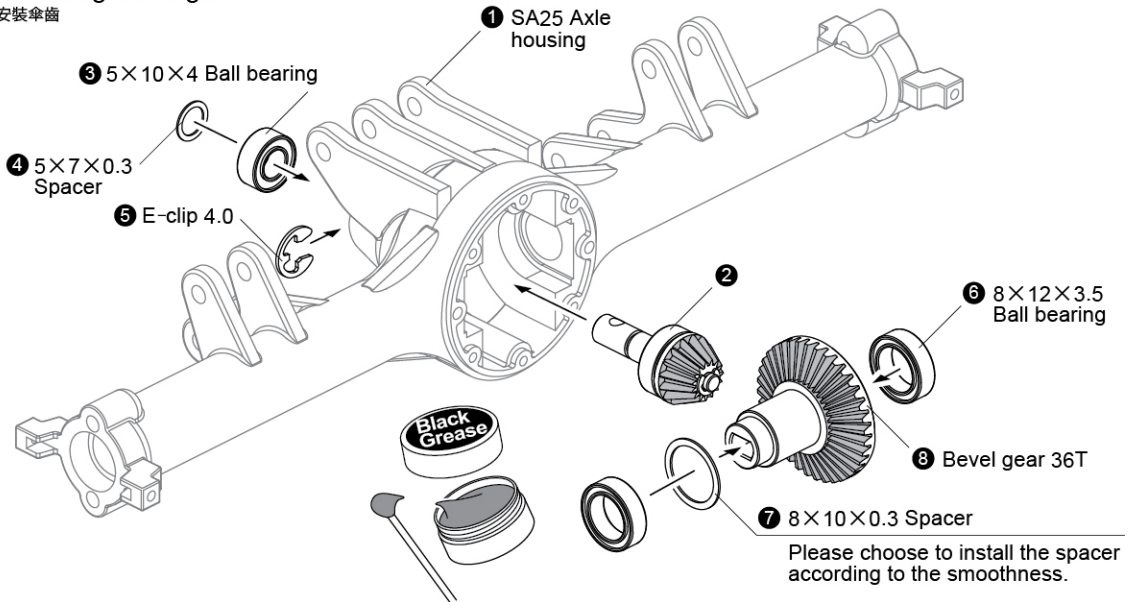


STEP 13 Attaching steering link
安裝轉向拉桿



STEP 14 Attaching bevel gear

安裝傘齒

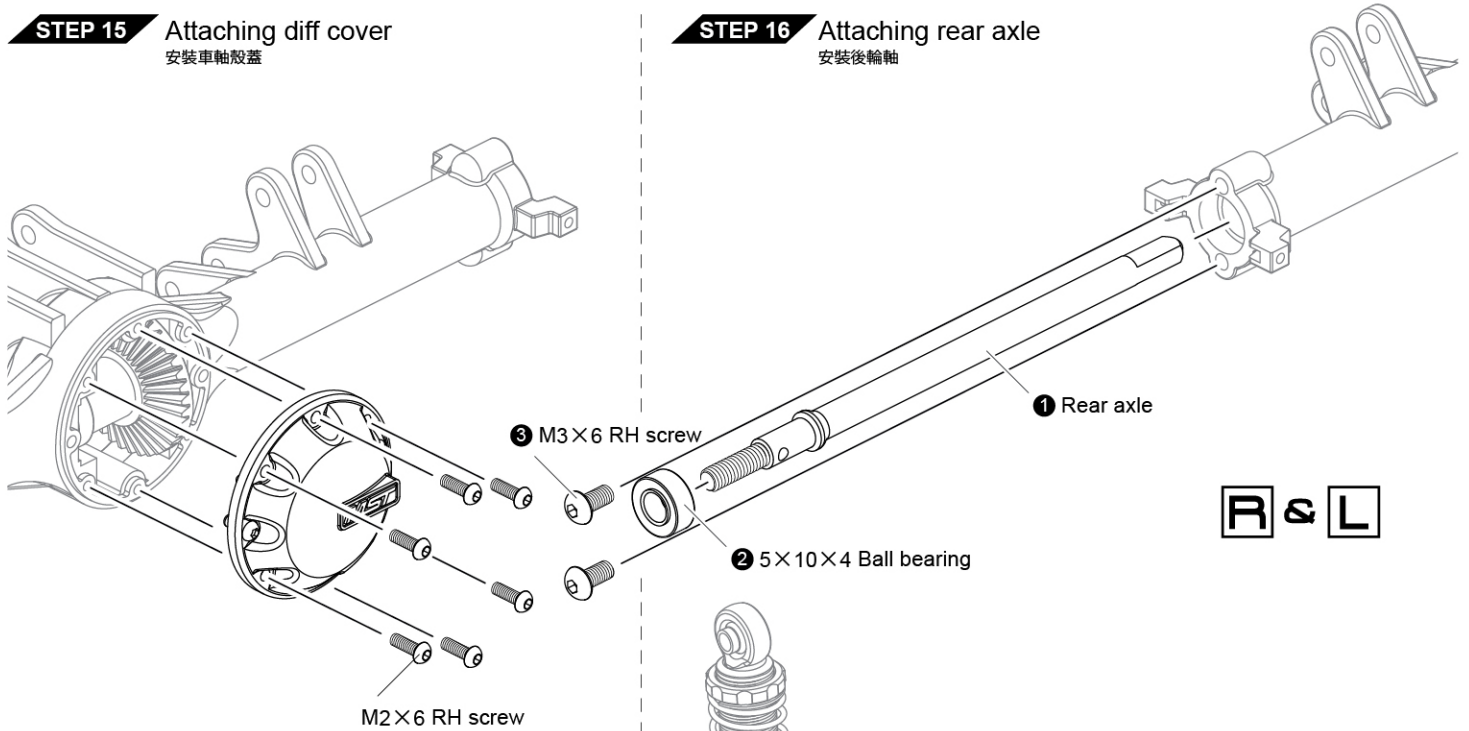


STEP 15 Attaching diff cover

安裝車軸殼蓋

STEP 16 Attaching rear axle

安裝後輪軸



STEP 17 Attaching damper

安裝避震器

