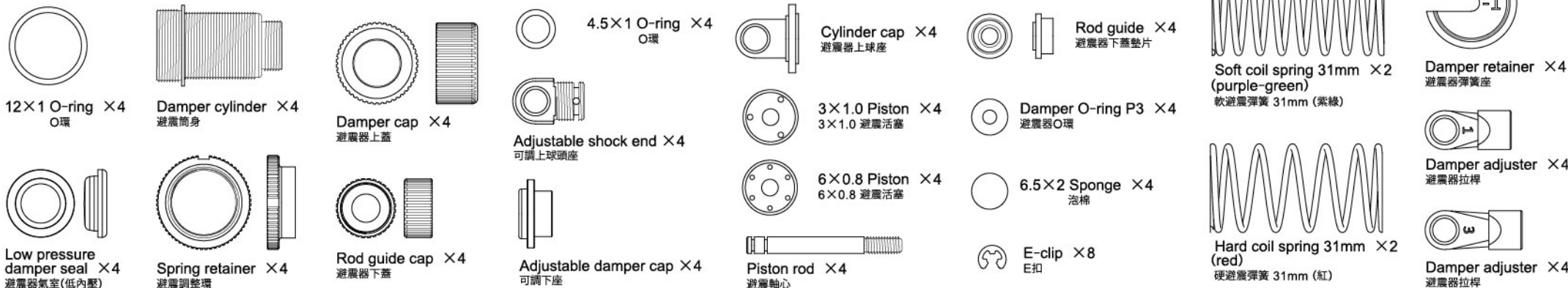


TDA DRIFT DAMPER PARTS



► RECOMMENDED FOR SHOCKS DAMPER (ADDITIONAL PURCHASE)

DRIFT

RACING

RALLY

HARD

SOFT



820103 **FRONT**
31mm Hard coil spring set (8)

820104 **REAR**
31mm Soft coil spring set (8)

820105 **REAR**
31mm Super-soft coil spring set (8)

210154
Coil spring set 21mm (8)

820106
32mm Hard coil spring set (8)

HARD

SOFT



820107 **FRONT**
32mm Coil spring set (8)

820108 **REAR**
32mm Soft coil spring set (8)

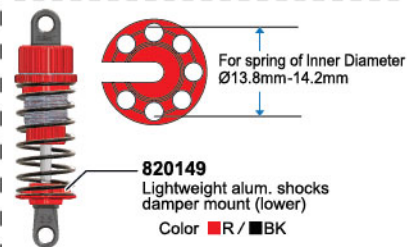
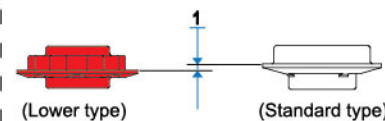
820109 **REAR**
32mm Super-soft coil spring set (8)

820110 **REAR**
32mm Extreme-soft coil spring set (8)

820134
28mm Coil spring set (8)

ADDITIONAL PURCHASE

Lightweight alum. shocks damper mount (lower)

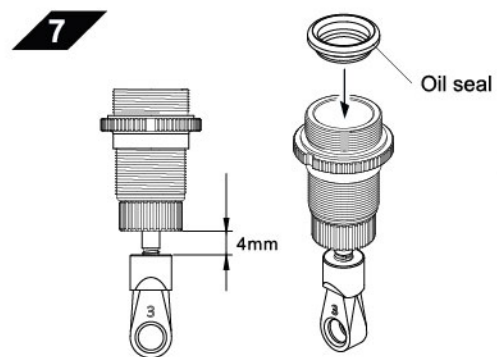
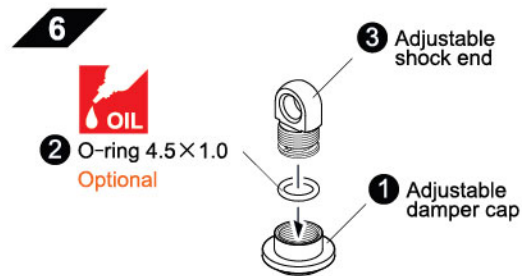
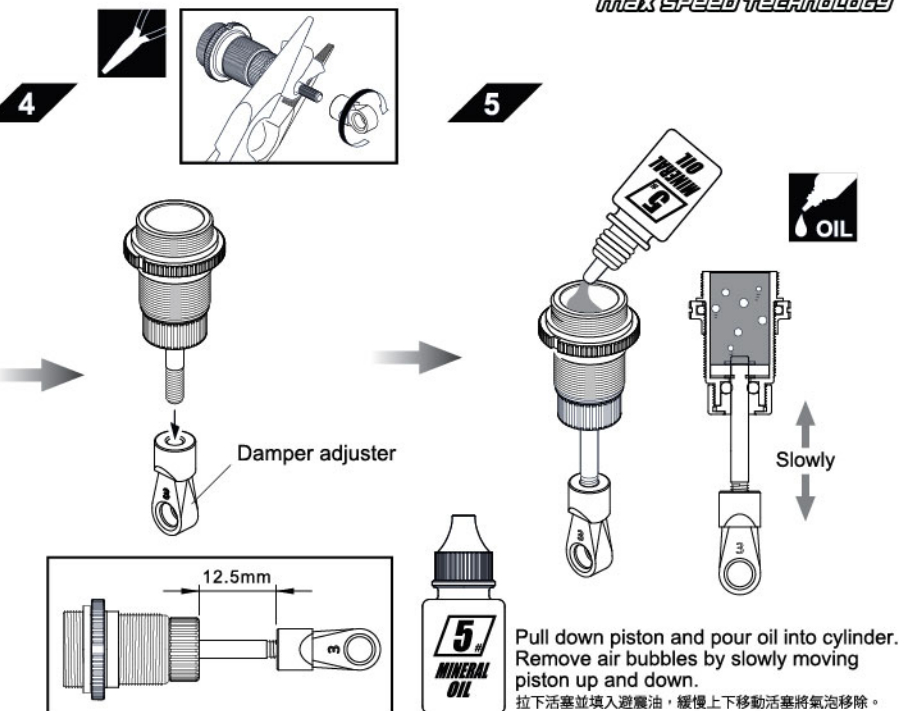
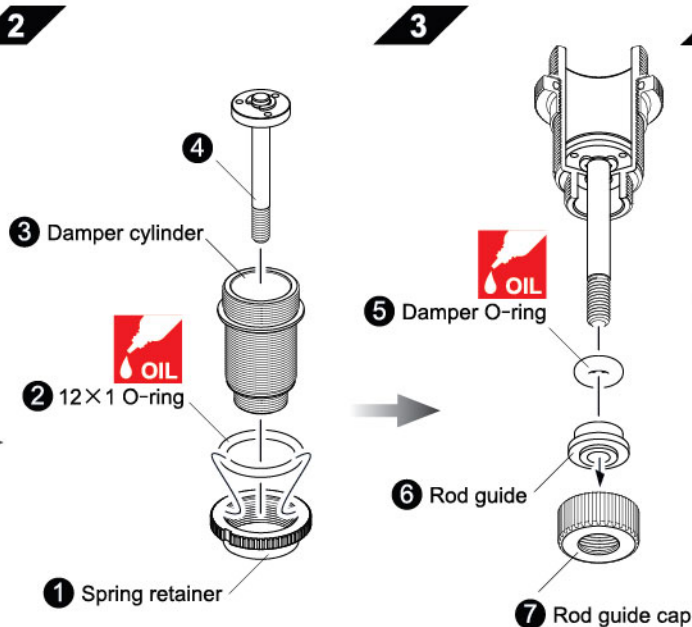
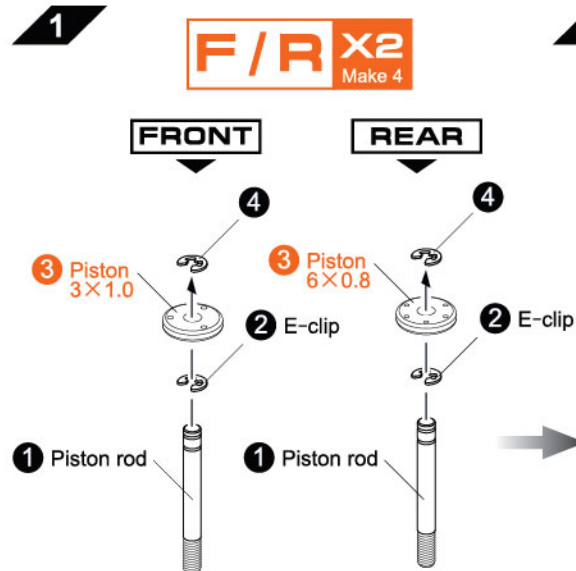


TDA DRIFT DAMPER

DAMPER ASSEMBLY

※ Please assemble the part by number in the circle.
請按照球號順序組裝

MST
MAX SPEED TECHNOLOGY



※ Pull down piston rod 4mm, attach cylinder cap and absorb oil overflow with tissue paper.
將軸心下拉4mm後，蓋上避震器上蓋並以面紙拭去溢出的砂油。

